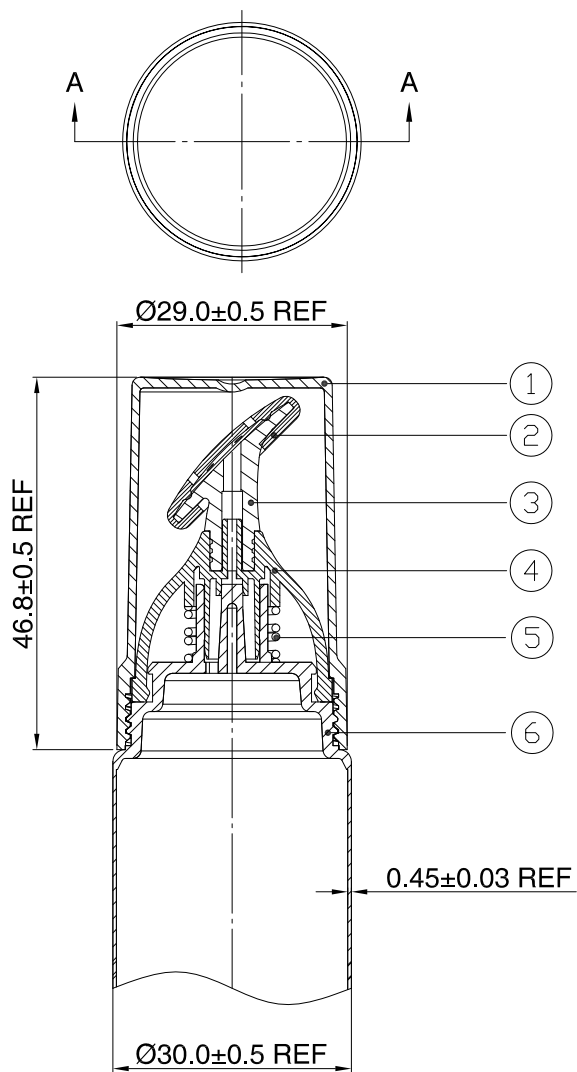


ITEM	DESCRIPTION OF REVISION	REVISED BY	DATE
△			



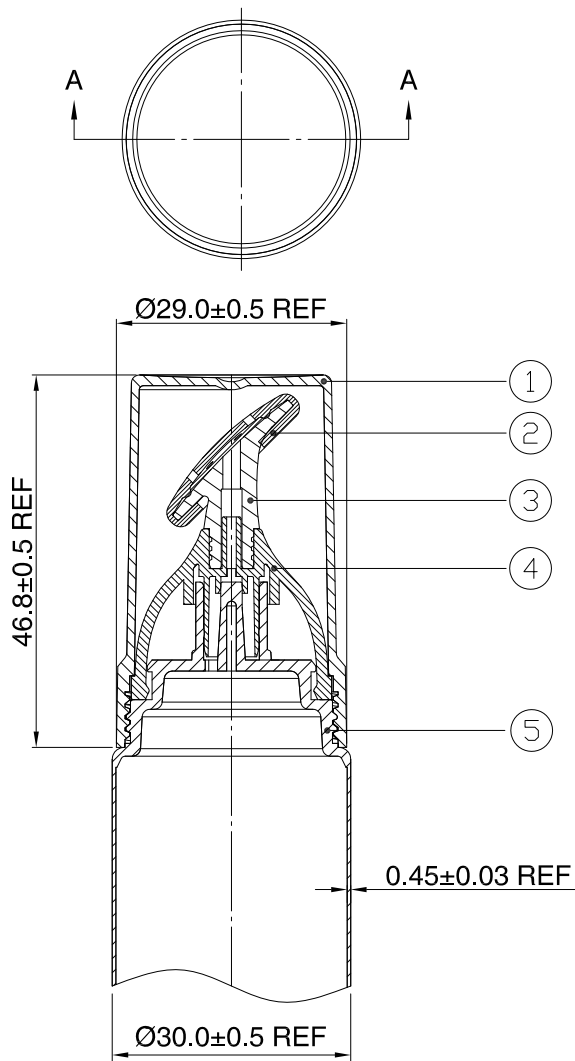
SECTION A-A

6	TUBE	D30-M15R	PE
5	SPRING		SUS
4	VALVE	CB009	PP
3	PLUG	CJ050	PP
2	APPLICATOR	SA01	silicon
1	CAP	D30-T97UD	PP
No	PARTS	PART CODE	MATERIALS

Designed	Date	Drawing Name:	PT2020029	
QMX	2019/04/15	Product Name	ASSEMBLY	
Checked	Date	Drawing/File No.		
BECK	2019/04/15			
Approved	Date			
GENERAL TOLERANCES		Scale	1 : 1	Material
X.X ±0.2		Unit	mm	View
X.XX ±0.15		SEE BOM		
ANGULAR X.X ±0.5°				
Don't Scale Drawing				



ITEM	DESCRIPTION OF REVISION	REVISED BY	DATE
△			



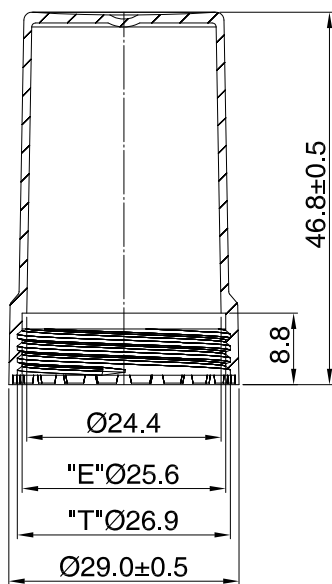
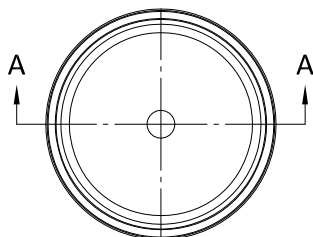
SECTION A-A

5	TUBE	D30-M15R	PE
4	VALVE	CB009	PP
3	PLUG	CJ050	PP
2	APPLICATOR	SA01	silicon
1	CAP	D30-T97UD	PP
No	PARTS	PART CODE	MATERIALS

Designed	Date	Drawing Name:	PT2020029	
QMX	2019/04/15	Product Name	ASSEMBLY	
Checked	Date	Drawing/File No.		
BECK	2018/04/15	Scale	1 : 1	Material
Approved	Date	Unit	mm	View
GENERAL TOLERANCES		SEE BOM		
X.X ±0.2		Don't Scale Drawing		
X.XX ±0.15				
ANGULAR X.X ±0.5°				



ITEM	DESCRIPTION OF REVISION	REVISED BY	DATE
△			

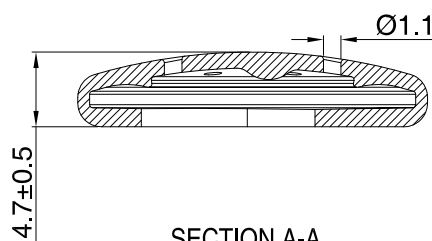
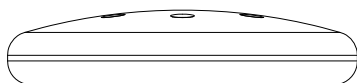
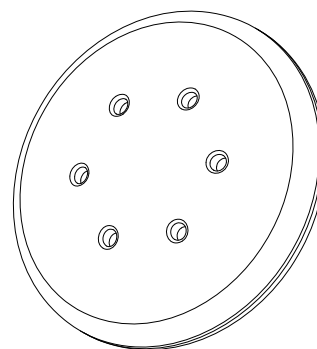
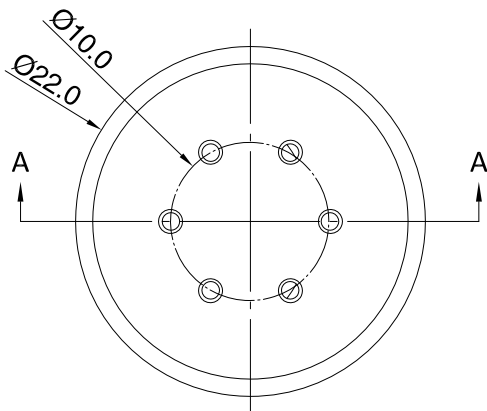


SECTION A-A

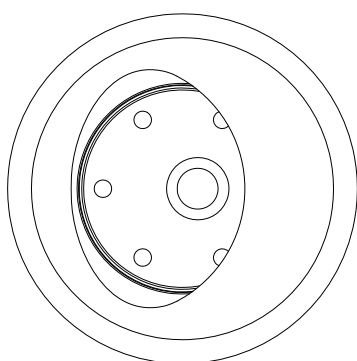
Designed QMX	Date 2010/04/15	Drawing Name:	PT2020029		
Checked BECK	Date 2019/04/15	Product Name	CAP		
Approved	Date	Drawing/File No.			
GENERAL TOLERANCES X.X ±0.2 X.XX ±0.15 ANGULAR X.X ±0.5°		Scale	1 : 1	Material	PP
		Unit	mm	View	
Don't Scale Drawing					



ITEM	DESCRIPTION OF REVISION	REVISED BY	DATE
△1			



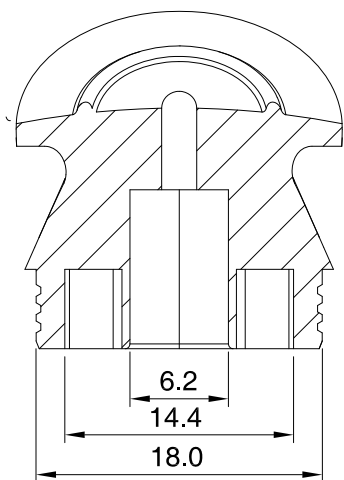
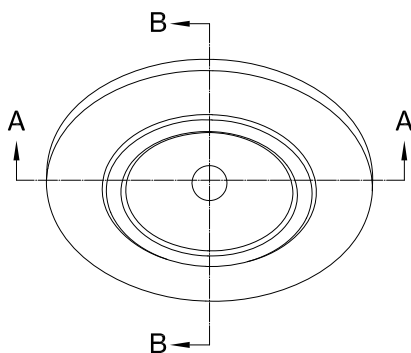
SECTION A-A



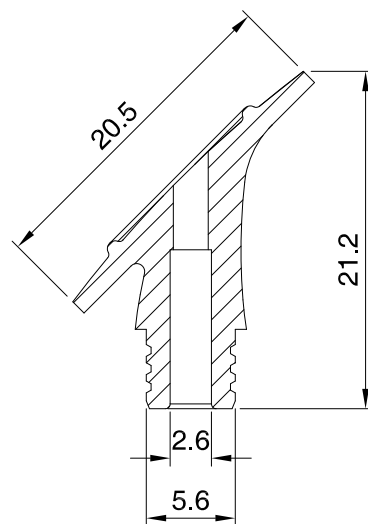
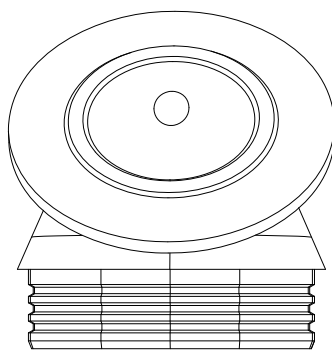
Designed	Date	Drawing Name:	PT2020029	
QMX	2019/04/15	Product Name	BRUSH	
Checked	Date	Drawing/File No.		
BECK	2019/04/15	Material	SILICON	
Approved	Date	Unit	mm	View
GENERAL TOLERANCES		Scale	2 : 1	
X.X ± 0.2		Don't Scale Drawing		
X.XX ± 0.15				
ANGULAR X.X $\pm 0.5^\circ$				



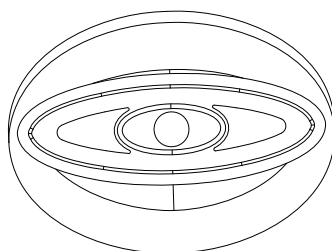
ITEM	DESCRIPTION OF REVISION	REVISED BY	DATE
△1			



SECTION A-A



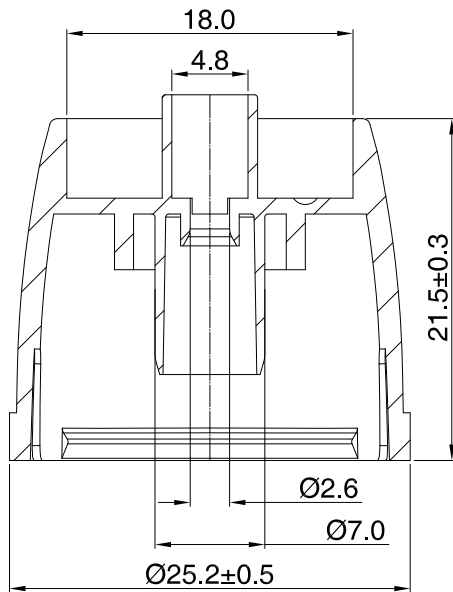
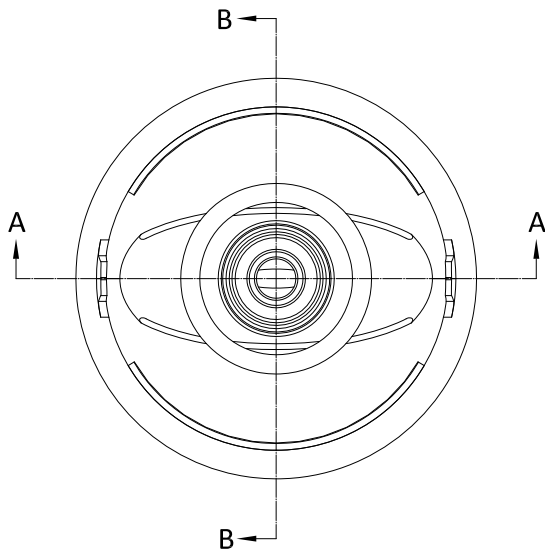
SECTION B-B



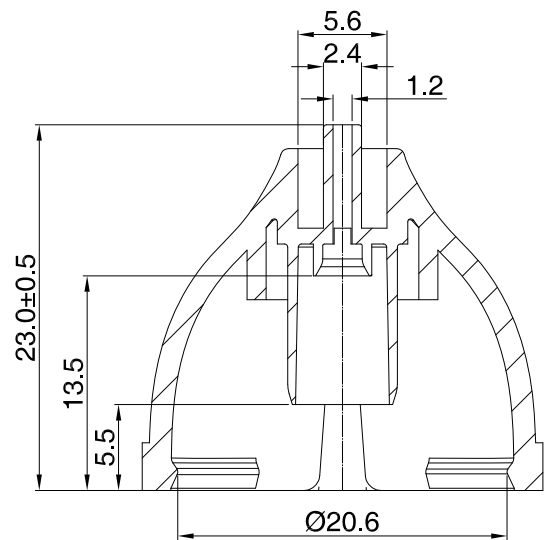
Designed QMX	Date 2019/04/15	Drawing Name:	PT2020029		
Checked BECK	Date 2019/04/15	Product Name	PLUG		
Approved	Date	Drawing/File No.			
GENERAL TOLERANCES		Scale	2 : 1	Material	PP
X.X ±0.2		Unit	mm	View	
X.XX ±0.15		Don't Scale Drawing			
ANGULAR X.X ±0.5°					



ITEM	DESCRIPTION OF REVISION	REVISED BY	DATE
△			



SECTION A-A

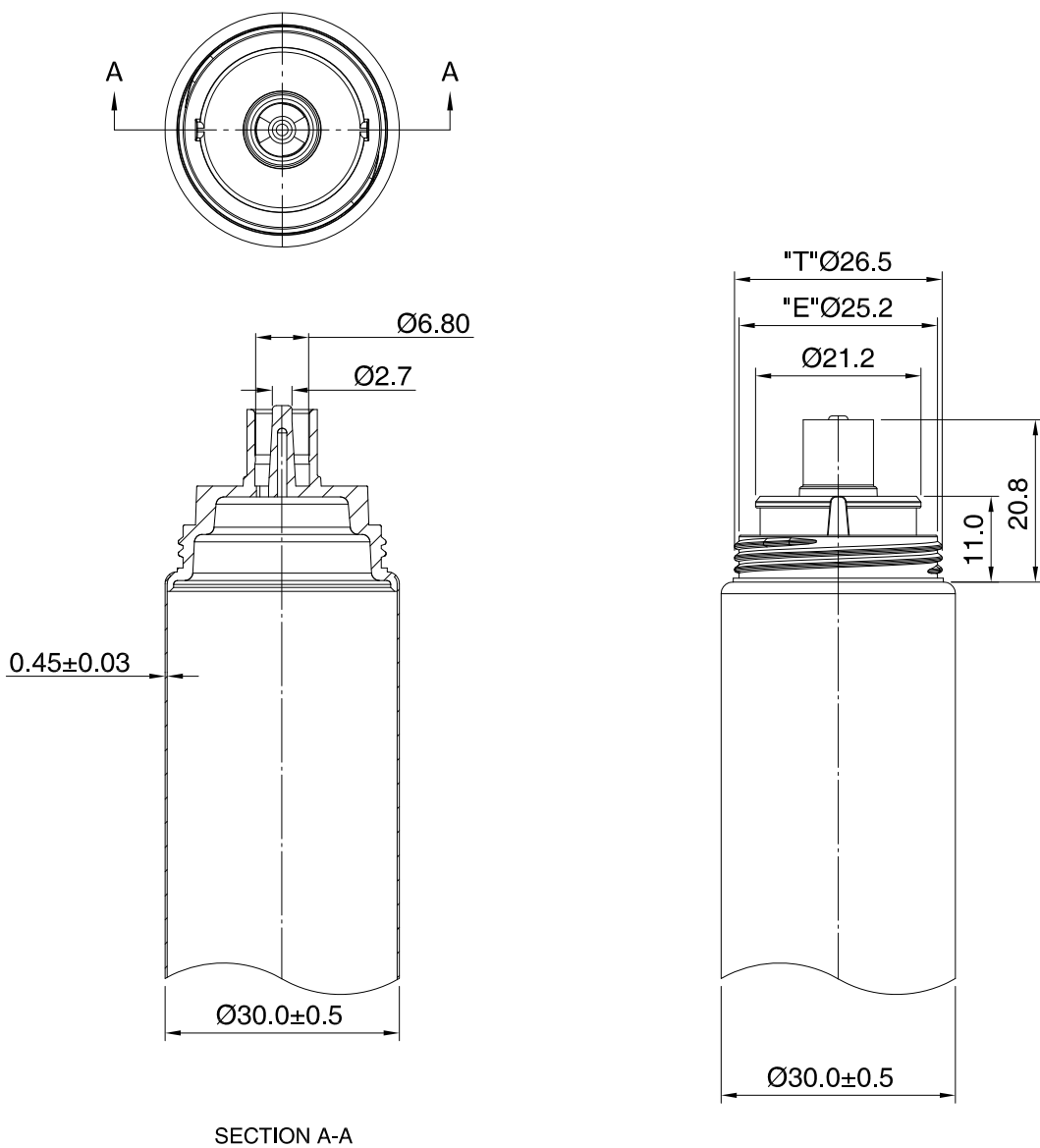


SECTION B-B

Designed	Date	Drawing Name:	PT2020029	
QMX	2019/04/15	Product Name	VALVE	
Checked	Date	Drawing/File No.		
BECK	2019/04/15	Scale	2 : 1	Material
Approved	Date	Unit	mm	View
GENERAL TOLERANCES		Don't Scale Drawing		
X.X ±0.2				
X.XX ±0.15				
ANGULAR X.X ±0.5°				



ITEM	DESCRIPTION OF REVISION	REVISED BY	DATE
△			



Designed	Date	Drawing Name:	PT2020029	
QMX	2019/04/15	Product Name	TUBE	
Checked	Date	Drawing/File No.		
BECK	2019/04/15	Scale	1 : 1	Material
Approved	Date	Unit	mm	View
GENERAL TOLERANCES		Don't Scale Drawing		
X.X ±0.2				
X.XX ±0.15				
ANGULAR X.X ±0.5°				

