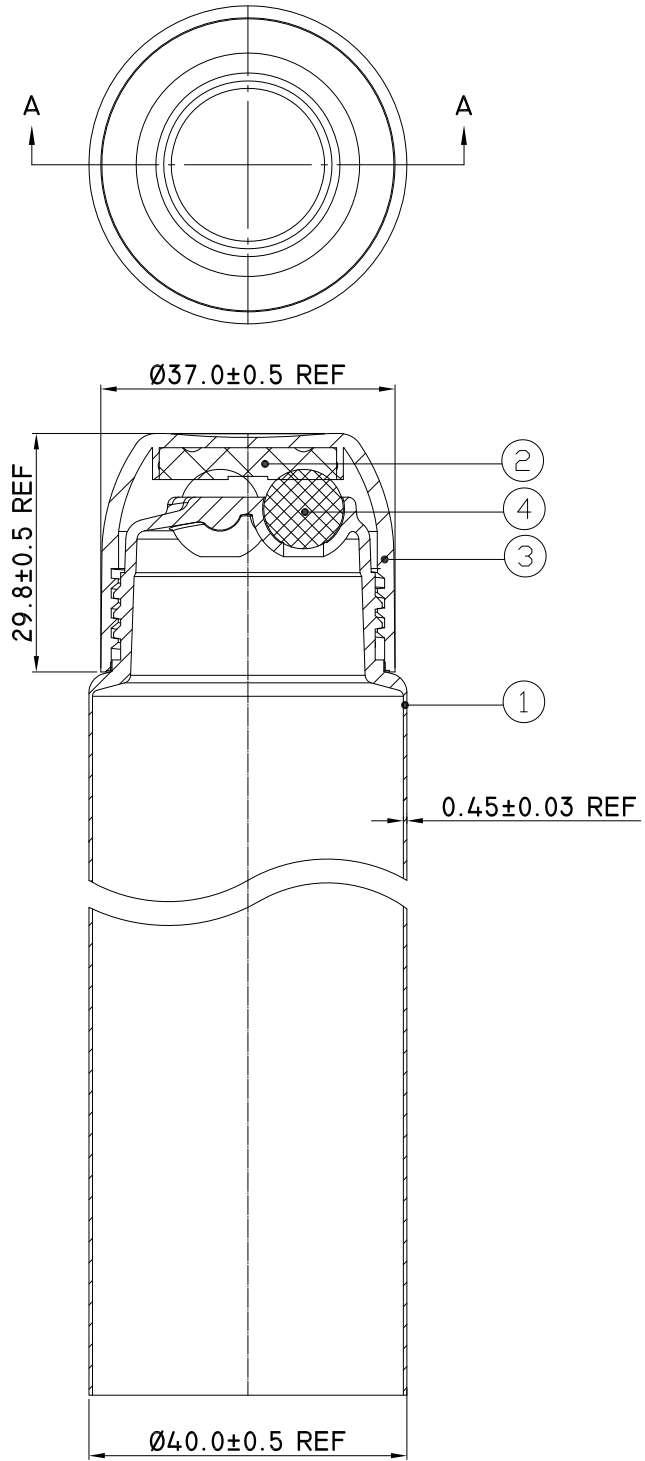


ITEM	DESCRIPTION OF REVISION	REVISED BY	DATE
⚠			



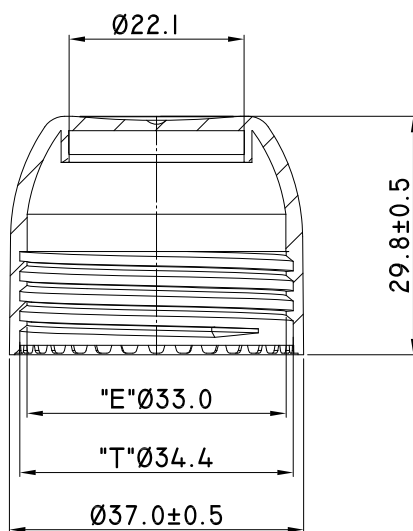
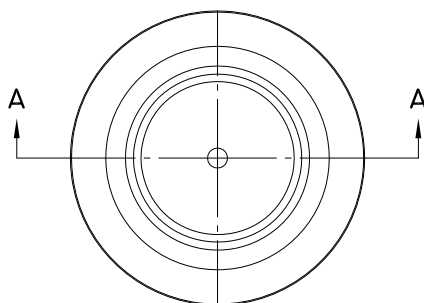
SECTION A-A

4	BALL	10MM	SUS
3	CAP	D40-TI27UD	PP
2	LINER	CS014	TPE
1	TUBE	D40-QQ3	PE
No	PARTS	PART CODE	MATERIALS

Designed <b>QMX</b>	Date 2019/10/10	Drawing Name:	<b>PT2020028</b>	
Checked <b>BECK</b>	Date 2019/10/10	Product Name	<b>ASSEMBLY</b>	
Approved	Date	Drawing/File No.		
GENERAL TOLERANCES		Scale	1 : 1	Material
X.X ±0.2		Unit	mm	View
X.XX ±0.15		Don't Scale Drawing		
ANGULAR X.X ±0.5°				



ITEM	DESCRIPTION OF REVISION	REVISED BY	DATE
△			

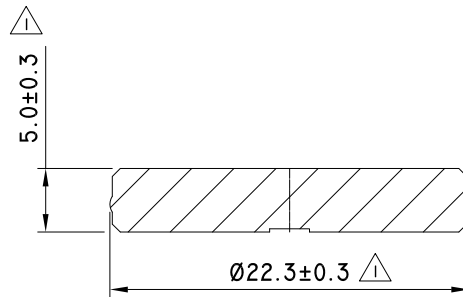
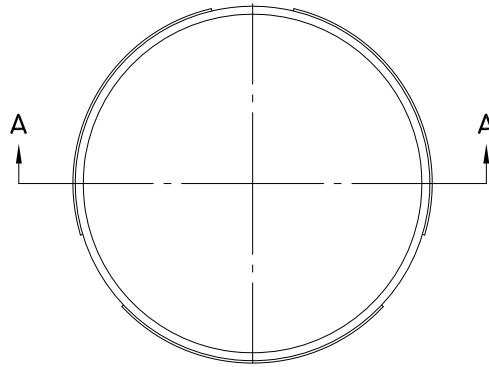


SECTION A-A

Designed <b>QMX</b>	Date 2019/10/10	Drawing Name:	<b>PT2020028</b>		
Checked <b>BECK</b>	Date 2019/10/10	Product Name	<b>CAP</b>		
Approved	Date	Drawing/File No.			
GENERAL TOLERANCES X.X ±0.2 X.XX ±0.15 ANGULAR X.X ±0.5°		Scale	1 : 1	Material	PP
		Unit	mm	View	
Don't Scale Drawing					



ITEM	DESCRIPTION OF REVISION	REVISED BY	DATE
△	UPDATE	QMX	2019/12/16

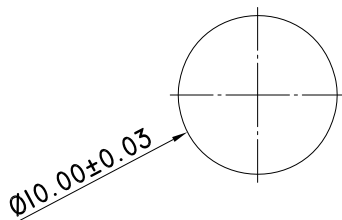


SECTION A-A

Designed <b>QMX</b>	Date 2020/03/10	Drawing Name:	<b>PT2020028</b>	
Checked <b>BECK</b>	Date 2020/03/10	Product Name	<b>LINER</b>	
Approved	Date	Drawing/File No.		
GENERAL TOLERANCES X.X ±0.2 X.XX ±0.15 ANGULAR X.X ±0.5°	Scale	2 : 1	Material	<b>TPE</b>
	Unit	mm	View	
	Don't Scale Drawing			



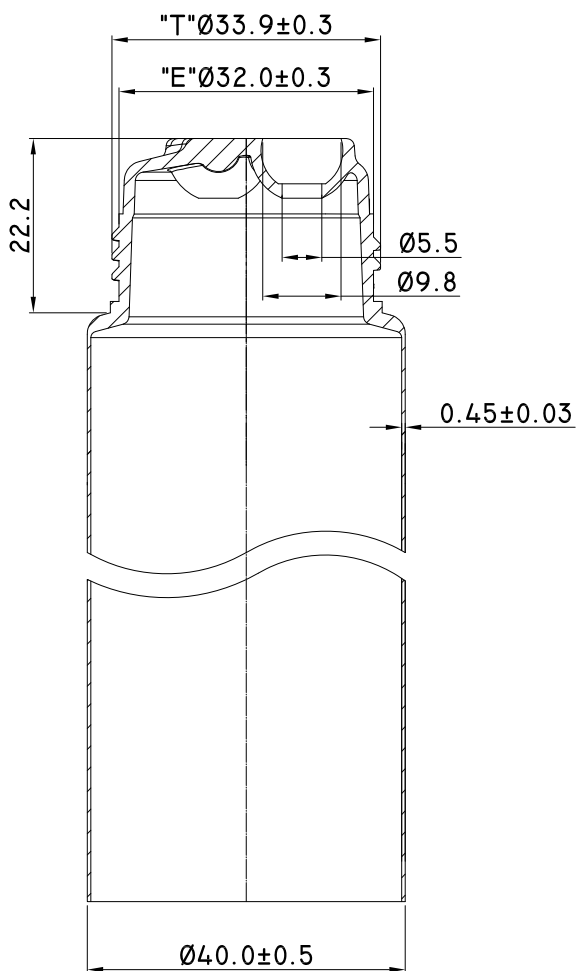
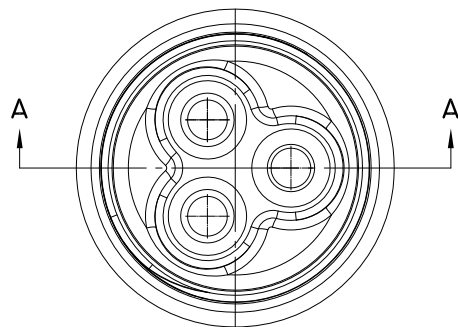
ITEM	DESCRIPTION OF REVISION	REVISED BY	DATE
△			



Designed <b>QMX</b>	Date 2019/10/10	Drawing Name:	<b>PT2020028</b>		
Checked <b>BECK</b>	Date 2019/10/10	Product Name	<b>BALL</b>		
Approved	Date	Drawing/File No.			
GENERAL TOLERANCES X.X ±0.2 X.XX ±0.15 ANGULAR X.X ±0.5°		Scale	2 : 1	Material	<b>sus</b>
		Unit	mm	View	
Don't Scale Drawing					



ITEM	DESCRIPTION OF REVISION	REVISED BY	DATE
△			



SECTION A-A

Designed <b>QMX</b>	Date 2019/10/10	Drawing Name:	<b>PT2020028</b>		
Checked <b>BECK</b>	Date 2019/10/10	Product Name	<b>TUBE</b>		
Approved	Date	Drawing/File No.			
GENERAL TOLERANCES X.X ±0.2 X.XX ±0.15 ANGULAR X.X ±0.5°		Scale	1 : 1	Material	PE
		Unit	mm	View	
Don't Scale Drawing					

