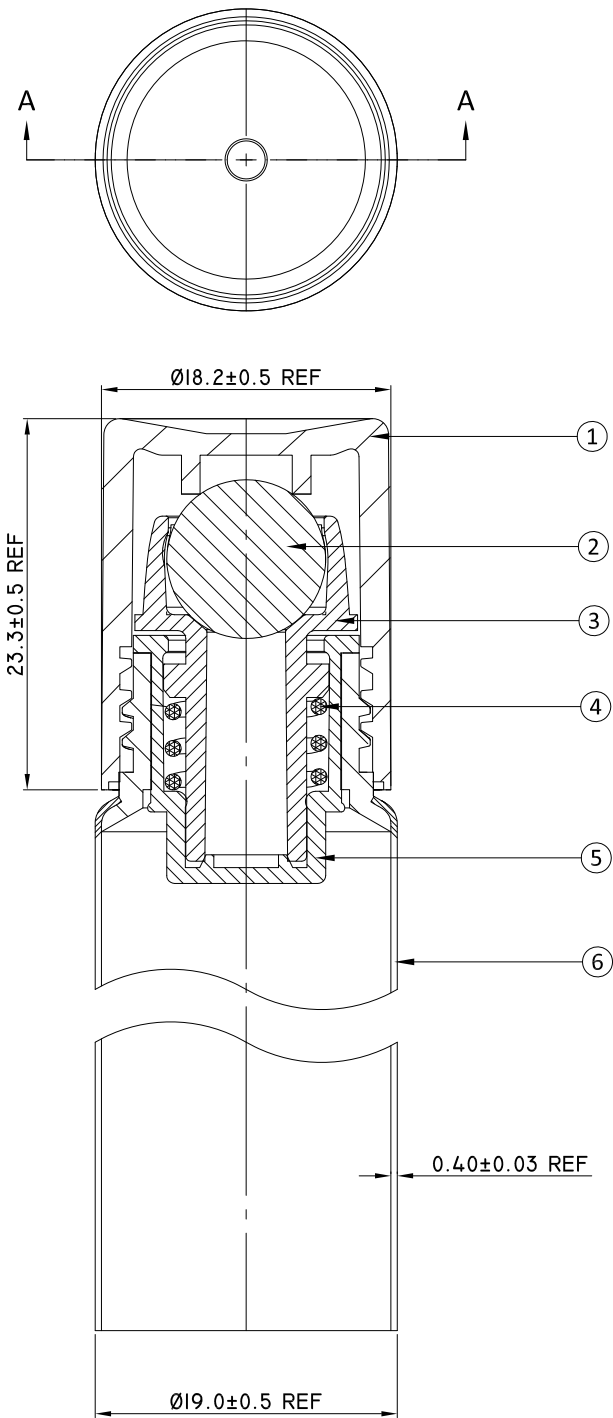


ITEM	DESCRIPTION OF REVISION	REVISED BY	DATE
⚠			



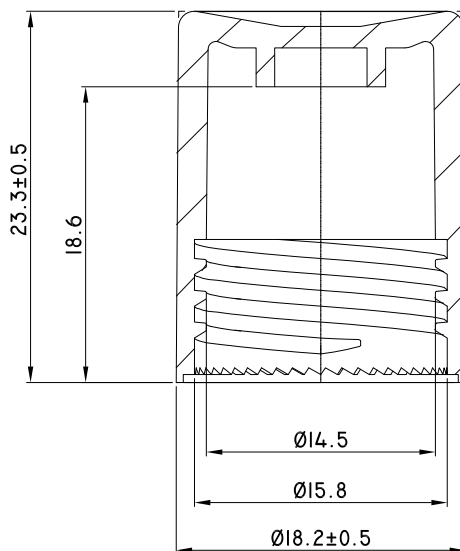
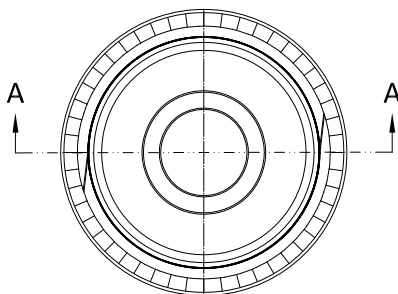
SECTION A-A

6	TUBE	DI9-AT2	PE
5	APPLICATOR	QI93	PE
4			SUS
3			PP
2			PP
1	CAP	Y0306	PP
No	PARTS	PART CODE	MATERIALS

Designed HSH	Date 2018/12/10	Drawing Name:	PT2020025		
Checked BECK	Date 2018/12/10	Product Name	ASSEMBLY		
Approved	Date	Drawing/File No.			
GENERAL TOLERANCES		Scale	2 : 1	Material	SEE BOM
X.X ±0.2		Unit	mm	View	
X.XX ±0.15		Don't Scale Drawing			
ANGULAR X.X ±0.5°					



ITEM	DESCRIPTION OF REVISION	REVISED BY	DATE
△			

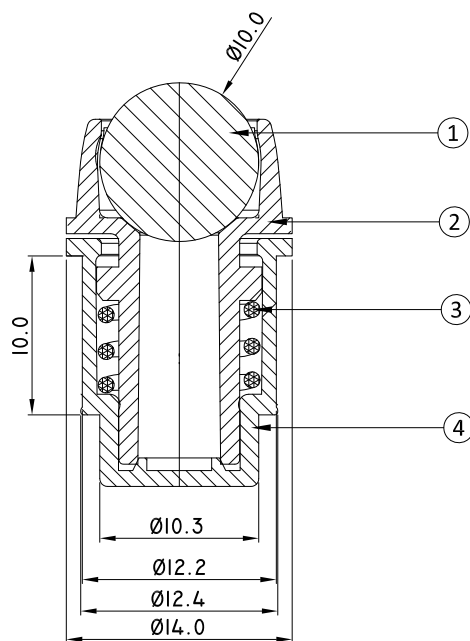
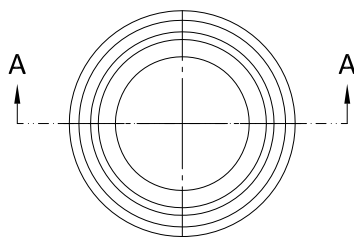


SECTION A-A

Designed HSH	Date 2018/12/10	Drawing Name:	PT2020025		
Checked BECK	Date 2018/12/10	Product Name	CAP		
Approved	Date	Drawing/File No.			
GENERAL TOLERANCES		Scale	2 : 1	Material	PP
X.X ±0.2		Unit	mm	View	
X.XX ±0.15		Don't Scale Drawing			
ANGULAR X.X ±0.5°					



ITEM	DESCRIPTION OF REVISION	REVISED BY	DATE
⚠			



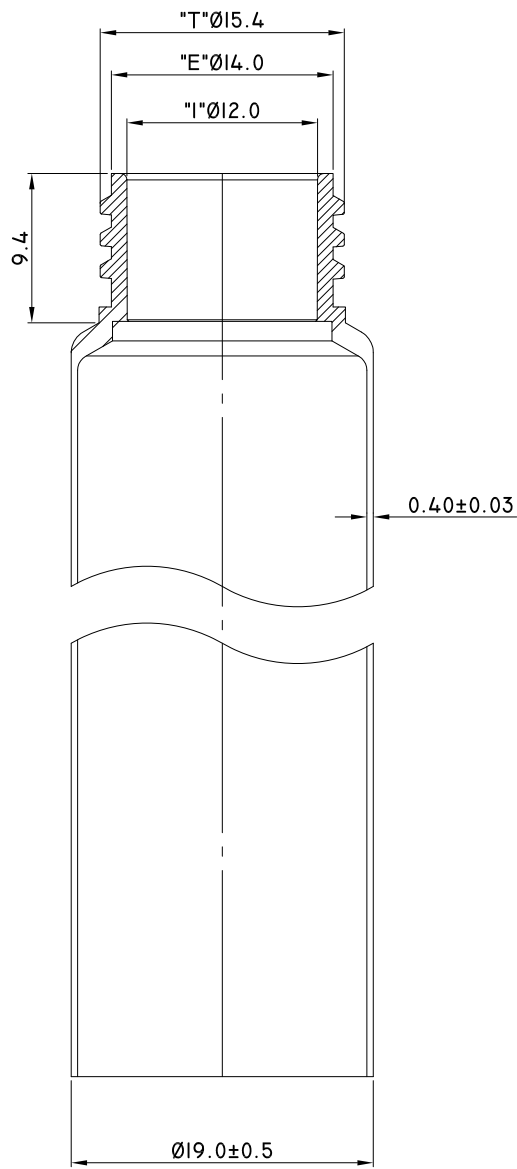
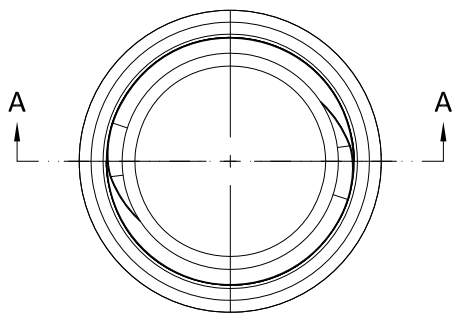
SECTION A-A

4	VALVE	QI93	PE
3	SPRING		SUS
2	HOLDER		PP
1	BALL		PP
No	PARTS	PART CODE	MATERIALS

Designed HSH	Date 2018/12/10	Drawing Name:	PT2020025		
Checked BECK	Date 2018/12/10	Product Name	APPLICATOR		
Approved	Date	Drawing/File No.			
GENERAL TOLERANCES		Scale	2 : 1	Material	SEE BOM
X.X ±0.2		Unit	mm	View	
X.XX ±0.15		Don't Scale Drawing			
ANGULAR X.X ±0.5°					



ITEM	DESCRIPTION OF REVISION	REVISED BY	DATE
⚠			



SECTION A-A

Designed HSH	Date 2018/12/10	Drawing Name:	PT2020025		
Checked BECK	Date 2018/12/10	Product Name	TUBE		
Approved	Date	Drawing/File No.			
GENERAL TOLERANCES X.X ±0.2 X.XX ±0.15 ANGULAR X.X ±0.5°		Scale	2 : 1	Material	PE
		Unit	mm	View	
Don't Scale Drawing					

