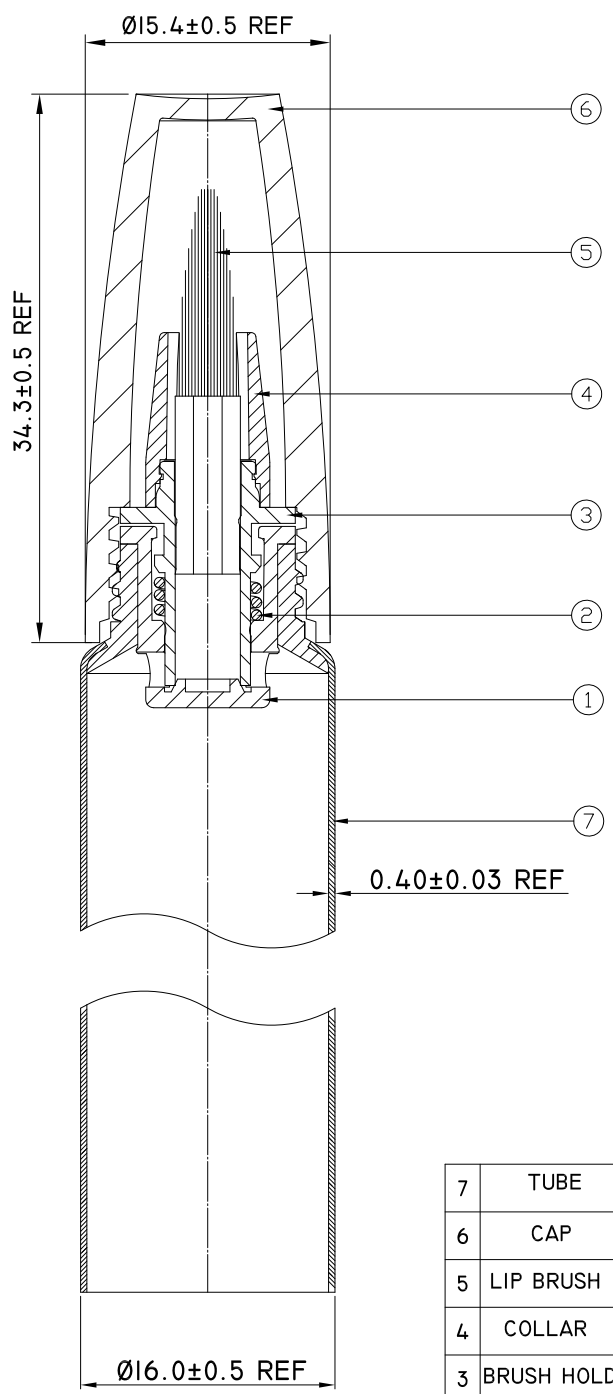
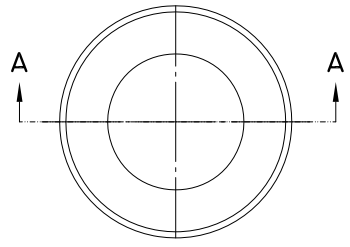


ITEM	DESCRIPTION OF REVISION	REVISED BY	DATE
⚠			



SECTION A-A

7	TUBE	DI6-ATI	PE
6	CAP		PP
5	LIP BRUSH		PBT
4	COLLAR		PP
3	BRUSH HOLD		PP
2	SPRING		SUS
1	VALVE		PE
No	PARTS	PART CODE	MATERIALS

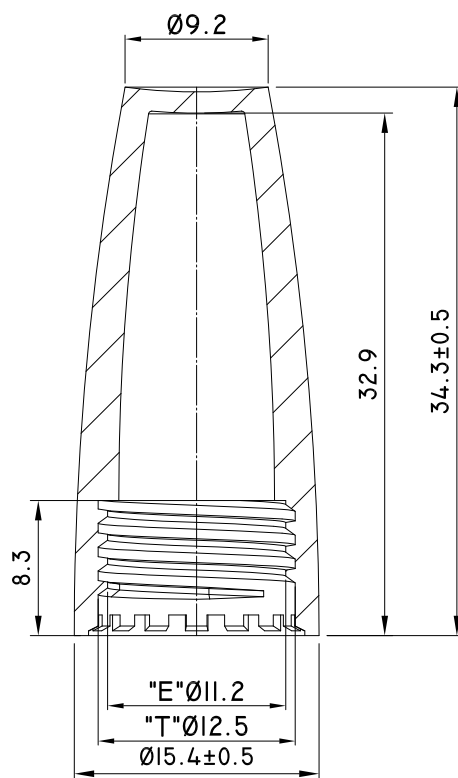
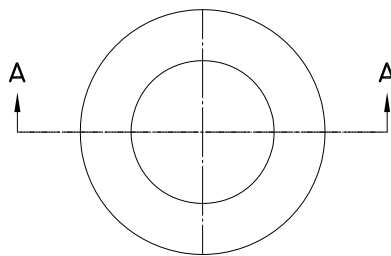
**PROPRIETARY AND CONFIDENTIAL**

THE INFORMATION CONTAINED IN THIS DRAWING IS THE SOLE PROPERTY OF UDN INTERNATIONAL INC. ANY REPRODUCTION IN PART OR AS A WHOLE WITHOUT THE WRITTEN PERMISSION OF UDN INTERNATIONAL INC. IS PROHIBITED.

Designed <b>HSH</b>	Date 2017/12/05	Drawing Name:	<b>PT2020002</b>	
Checked <b>BECK</b>	Date 2017/12/05	Product Name	<b>ASSEMBLY</b>	
Approved	Date	Drawing/File No.		
GENERAL TOLERANCES		Scale	2 : 1	Material
X.X ±0.2		Unit	mm	View
X.XX ±0.15		SEE BOM 		
ANGULAR X.X ±0.5°				
Don't Scale Drawing				



ITEM	DESCRIPTION OF REVISION	REVISED BY	DATE
△			

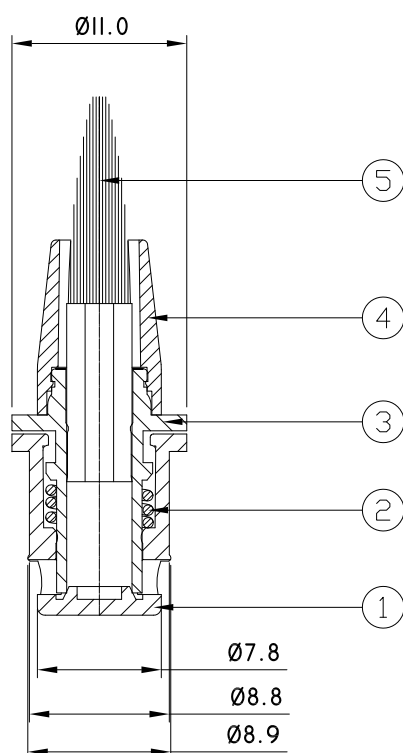
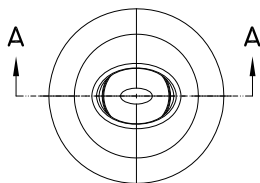


SECTION A-A

<p><b>PROPRIETARY AND CONFIDENTIAL</b></p> <p>THE INFORMATION CONTAINED IN THIS DRAWING IS THE SOLE PROPERTY OF UDN INTERNATIONAL INC. ANY REPRODUCTION IN PART OR AS A WHOLE WITHOUT THE WRITTEN PERMISSION OF UDN INTERNATIONAL INC. IS PROHIBITED.</p>	Designed <b>HSH</b> 2017/12/05	Drawing Name:		<b>PT2020002</b>		
	Checked <b>BECK</b> 2017/12/05	Product Name		<b>CAP</b>		
	Approved	Drawing/File No.				
	GENERAL TOLERANCES	Scale	2 : 1	Material	PP	
		Unit	mm	View		
	X.X ±0.2 X.XX ±0.15 ANGULAR X.X ±0.5°	Don't Scale Drawing				



ITEM	DESCRIPTION OF REVISION	REVISED BY	DATE
⚠			



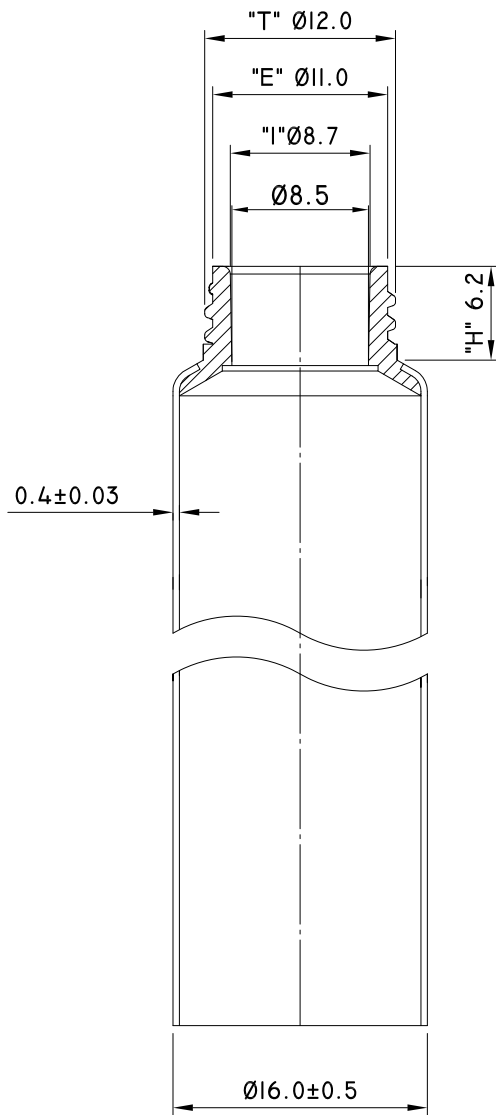
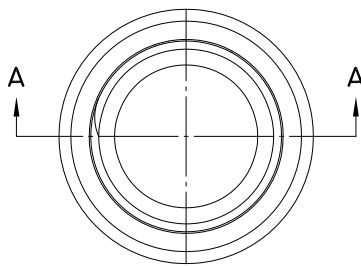
SECTION A-A

5	LIP BRUSH	BB094	PBT
4	COLLAR		PP
3	BRUSH HOLD		PP
2	SPRING		SUS
1	VALVE		PE
No	PARTS	PART CODE	MATERIALS

<p><b>PROPRIETARY AND CONFIDENTIAL</b></p> <p>THE INFORMATION CONTAINED IN THIS DRAWING IS THE SOLE PROPERTY OF UDN INTERNATIONAL INC. ANY REPRODUCTION IN PART OR AS WHOLE WITHOUT THE WRITTEN PERMISSION OF UDN INTERNATIONAL INC. IS PROHIBITED.</p>	Designed <b>HSH</b> 2017/12/05	Date	Drawing Name: <b>PT2020002</b>		
	Checked <b>BECK</b> 2017/12/05	Date	Product Name: <b>ASSEMBLY</b>		
	Approved	Date	Drawing/File No.		
	GENERAL TOLERANCES		Scale	2 : 1	Material
	X.X ±0.2 X.XX ±0.15 ANGULAR X.X ±0.5°		Unit	mm	View
Don't Scale Drawing					



ITEM	DESCRIPTION OF REVISION	REVISED BY	DATE
⚠			



SECTION A-A

<p><b>PROPRIETARY AND CONFIDENTIAL</b></p> <p>THE INFORMATION CONTAINED IN THIS DRAWING IS THE SOLE PROPERTY OF UDN INTERNATIONAL INC. ANY REPRODUCTION IN PART OR AS A WHOLE WITHOUT THE WRITTEN PERMISSION OF UDN INTERNATIONAL INC. IS PROHIBITED.</p>	Designed <b>HSH</b> 2017/12/05	Date 2017/12/05	Drawing Name: <b>PT2020002</b>		
	Checked <b>BECK</b> 2017/12/05	Date 2017/12/05	Product Name <b>TUBE</b>		
	Approved	Date	Drawing/File No.		
	<b>GENERAL TOLERANCES</b>		Scale	2 : 1	Material PE
	X.X ±0.2 X.XX ±0.15 ANGULAR X.X ±0.5°		Unit	mm	View 
Don't Scale Drawing					

