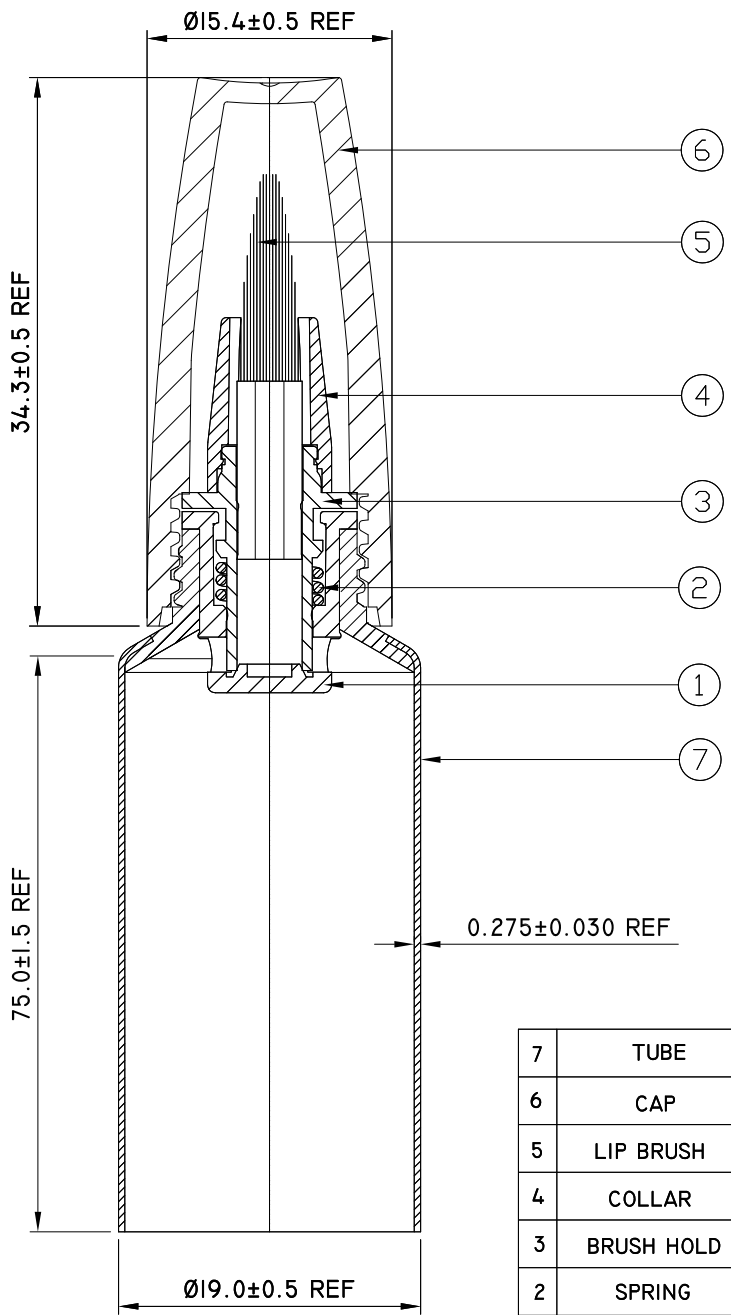
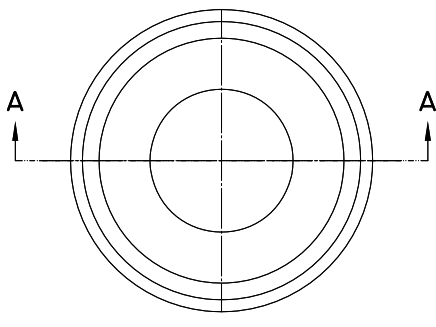


ITEM	DESCRIPTION OF REVISION	REVISED BY	DATE
⚠			



SECTION A-A

7	TUBE	DI9-AT1	ABL
6	CAP	DI6-T22TY(Y3086)	PP
5	LIP BRUSH	BB094	PBT
4	COLLAR		PP
3	BRUSH HOLD		PP
2	SPRING		SUS
1	VALVE		PE
No	PARTS	PART CODE	MATERIALS

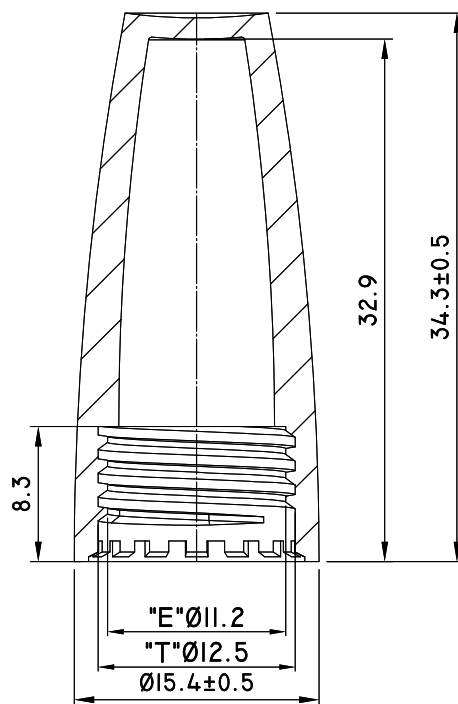
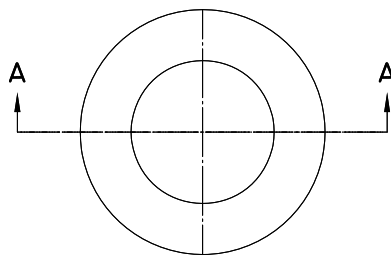
PROPRIETARY AND CONFIDENTIAL

THE INFORMATION CONTAINED IN THIS DRAWING IS THE SOLE PROPERTY OF UDN INTERNATIONAL INC. ANY REPRODUCTION IN PART OR AS A WHOLE WITHOUT THE WRITTEN PERMISSION OF UDN INTERNATIONAL INC. IS PROHIBITED.

Designed	Date	Drawing Name:		PT2020003	
HSH	2018/06/08	Product Name		ASSEMBLY	
Checked	Date	Drawing/File No.			
BECK	2018/06/08	Scale		2 : 1	Material
Approved	Date	Unit	mm	View	SEE BOM
GENERAL TOLERANCES		Unit		mm	View
X.X ±0.2		Unit		mm	View
X.XX ±0.15		Unit		mm	View
ANGULAR X.X ±0.5°		Don't Scale Drawing			



ITEM	DESCRIPTION OF REVISION	REVISED BY	DATE
△			

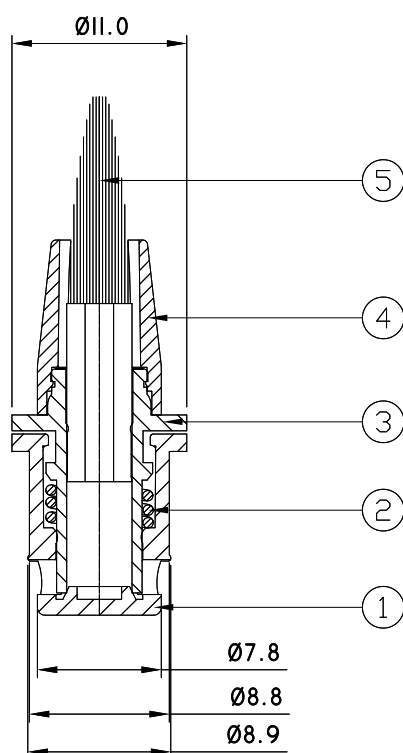
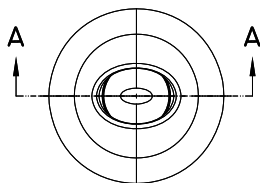


SECTION A-A

<p>PROPRIETARY AND CONFIDENTIAL</p> <p>THE INFORMATION CONTAINED IN THIS DRAWING IS THE SOLE PROPERTY OF UDN INTERNATIONAL INC. ANY REPRODUCTION IN PART OR AS WHOLE WITHOUT THE WRITTEN PERMISSION OF UDN INTERNATIONAL INC. IS PROHIBITED.</p>	Designed HSH 2018/06/08	Drawing Name:	PT2020003			
	Checked BECK 2018/06/08	Product Name	CAP			
	Approved	Drawing/File No.				
	GENERAL TOLERANCES X.X ±0.2 X.XX ±0.15 ANGULAR X.X ±0.5°	Scale	2 : 1	Material	PP	
		Unit	mm	View		
Don't Scale Drawing						



ITEM	DESCRIPTION OF REVISION	REVISED BY	DATE
△			

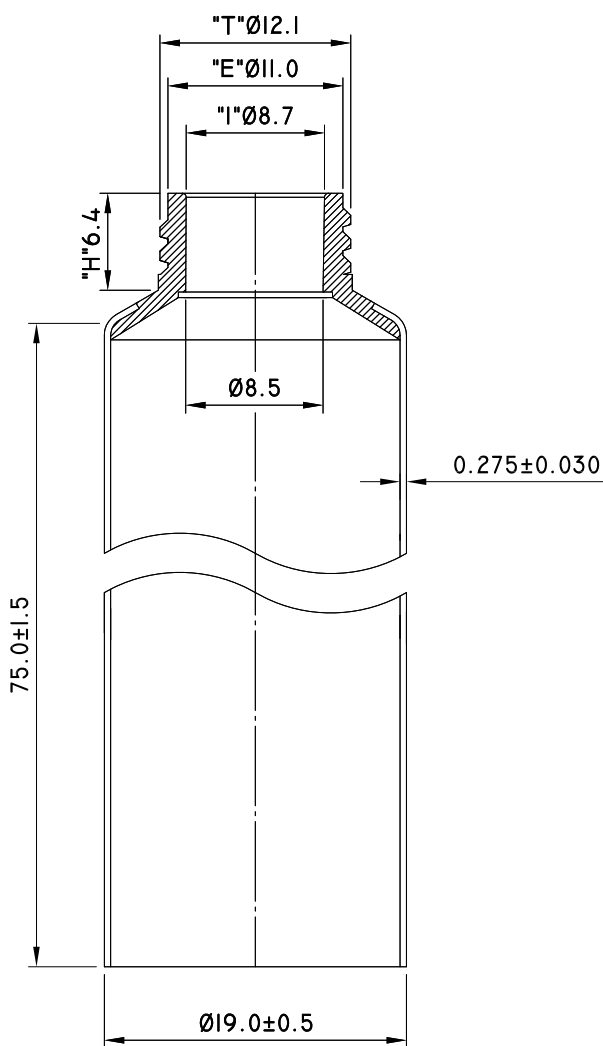
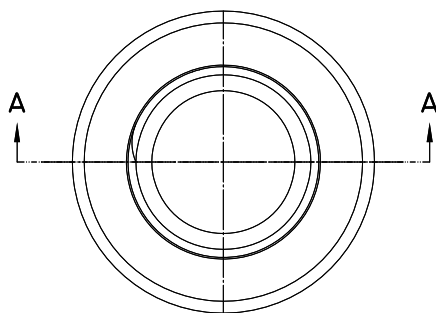


SECTION A-A



5	LIP BRUSH	BB094	PBT
4	COLLAR		PP
3	BRUSH HOLD		PP
2	SPRING		SUS
1	VALVE		PE
No	PARTS	PART CODE	MATERIALS

<p>PROPRIETARY AND CONFIDENTIAL</p> <p>THE INFORMATION CONTAINED IN THIS DRAWING IS THE SOLE PROPERTY OF UDN INTERNATIONAL INC. ANY REPRODUCTION IN PART OR AS A WHOLE WITHOUT THE WRITTEN PERMISSION OF UDN INTERNATIONAL INC. IS PROHIBITED.</p>	Designed HSH 2018/06/08	Drawing Name:	PT2020003			
	Checked BECK 2018/06/08	Product Name	ASSEMBLY			
	Approved	Drawing/File No.				
	GENERAL TOLERANCES X.X ±0.2 X.XX ±0.15 ANGULAR X.X ±0.5°	Scale	2 : 1	Material	SEE BOM	
		Unit	mm	View		
Don't Scale Drawing						

ITEM	DESCRIPTION OF REVISION	REVISED BY	DATE
△			



SECTION A-A

<p>PROPRIETARY AND CONFIDENTIAL</p> <p>THE INFORMATION CONTAINED IN THIS DRAWING IS THE SOLE PROPERTY OF UDN INTERNATIONAL INC. ANY REPRODUCTION IN PART OR AS A WHOLE WITHOUT THE WRITTEN PERMISSION OF UDN INTERNATIONAL INC. IS PROHIBITED.</p>	Designed HSH 2018/06/08	Drawing Name: PT2020003				
	Checked BECK 2018/06/08	Product Name: TUBE				
	Approved	Drawing/File No.				
	GENERAL TOLERANCES		Scale: 2 : 1	Material: ABL		
	X.X ±0.2 X.XX ±0.15 ANGULAR X.X ±0.5°		Unit: mm	View:		
Don't Scale Drawing						