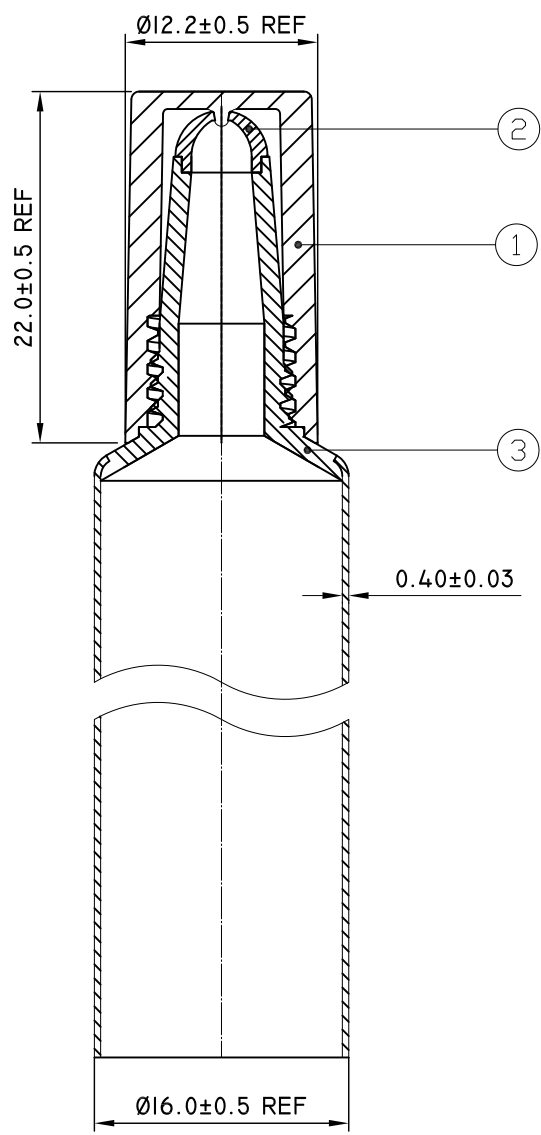
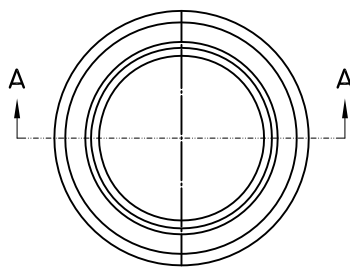


ITEM	DESCRIPTION OF REVISION	REVISED BY	DATE
⚠			



SECTION A-A

3	SOFT TIP	D16-PT2	TPE
2	TUBE		PE
1	CAP	D13-T115UD	PP
No	PARTS	PART CODE	MATERIALS

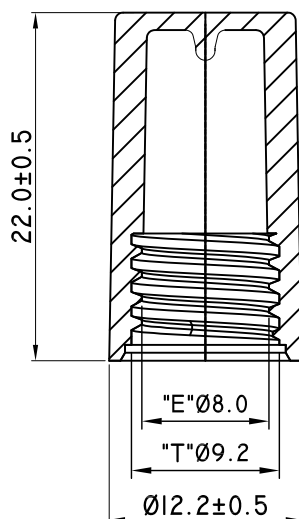
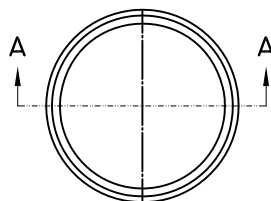
**PROPRIETARY AND CONFIDENTIAL**

THE INFORMATION CONTAINED IN THIS DRAWING IS THE SOLE PROPERTY OF UDN INTERNATIONAL INC. ANY REPRODUCTION IN PART OR AS A WHOLE WITHOUT THE WRITTEN PERMISSION OF UDN INTERNATIONAL INC. IS PROHIBITED.

Designed	QMX	Date	2020/03/10	Drawing Name:	PT2020015			
Checked	BECK	Date	2020/03/10	Product Name	ASSEMBLY			
Approved		Date		Drawing/File No.				
GENERAL TOLERANCES				Scale	2 : 1	Material	SEE BOM	
				Unit	mm	View		
				ANGULAR X.X ±0.5°				
Don't Scale Drawing								



ITEM	DESCRIPTION OF REVISION	REVISED BY	DATE
△			

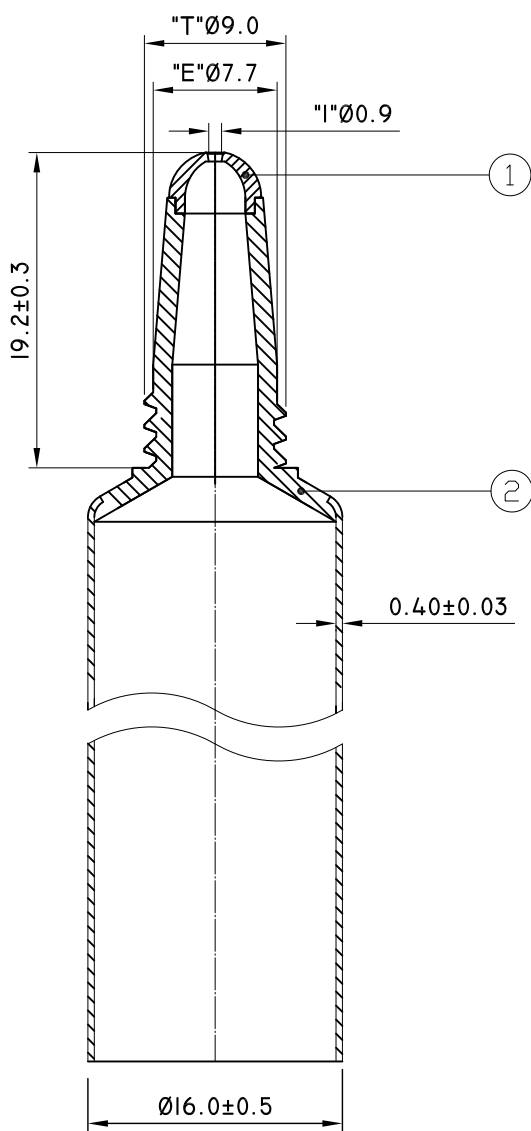
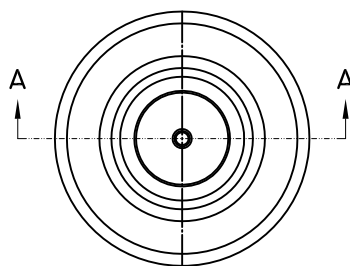


SECTION A-A

<p><b>PROPRIETARY AND CONFIDENTIAL</b></p> <p>THE INFORMATION CONTAINED IN THIS DRAWING IS THE SOLE PROPERTY OF UDN INTERNATIONAL INC. ANY REPRODUCTION IN PART OR AS WHOLE WITHOUT THE WRITTEN PERMISSION OF UDN INTERNATIONAL INC. IS PROHIBITED.</p>	Designed <b>QMX</b> Date 2020/03/10	Drawing Name:	<b>PT2020015</b>			
	Checked <b>BECK</b> Date 2020/03/10	Product Name	<b>CAP</b>			
	Approved Date	Drawing/File No.				
	GENERAL TOLERANCES	Scale	2 : 1	Material	PP	
		Unit	mm	View		
	X.X     ±0.2 X.XX   ±0.15 ANGULAR X.X ±0.5°	Don't Scale Drawing				



ITEM	DESCRIPTION OF REVISION	REVISED BY	DATE
⚠			



SECTION A-A

2	SOFT TIP	DI6-PT2	TPE
1	TUBE		PE
No	PARTS	PART CODE	MATERIALS

<p><b>PROPRIETARY AND CONFIDENTIAL</b></p> <p>THE INFORMATION CONTAINED IN THIS DRAWING IS THE SOLE PROPERTY OF UDN INTERNATIONAL INC. ANY REPRODUCTION IN PART OR AS A WHOLE WITHOUT THE WRITTEN PERMISSION OF UDN INTERNATIONAL INC. IS PROHIBITED.</p>	Designed <b>QMX</b> 2020/03/10	Date 2020/03/10	Drawing Name: <b>PT2020015</b>		
	Checked <b>BECK</b> 2020/03/10	Date 2020/03/10	Product Name TUBE		
	Approved	Date	Drawing/File No.		
	GENERAL TOLERANCES		Scale	2 : 1	Material
	X.X ±0.2 X.XX ±0.15 ANGULAR X.X ±0.5°		Unit	mm	View
Don't Scale Drawing					

