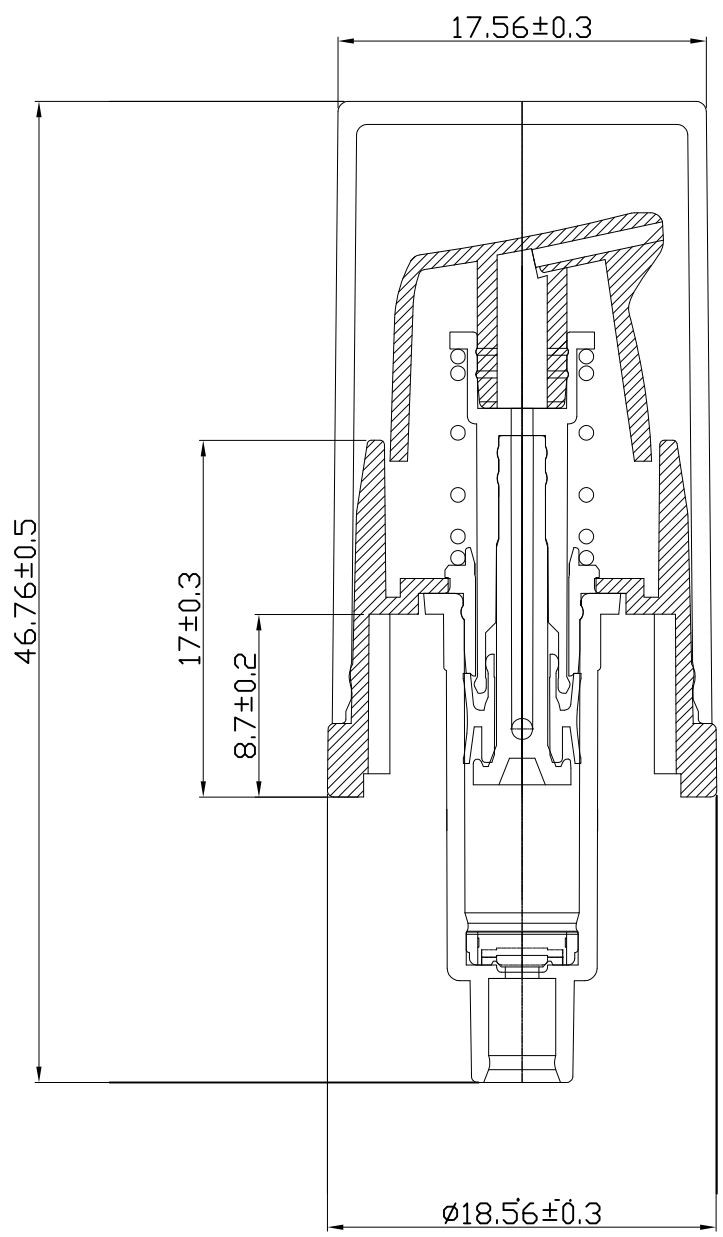


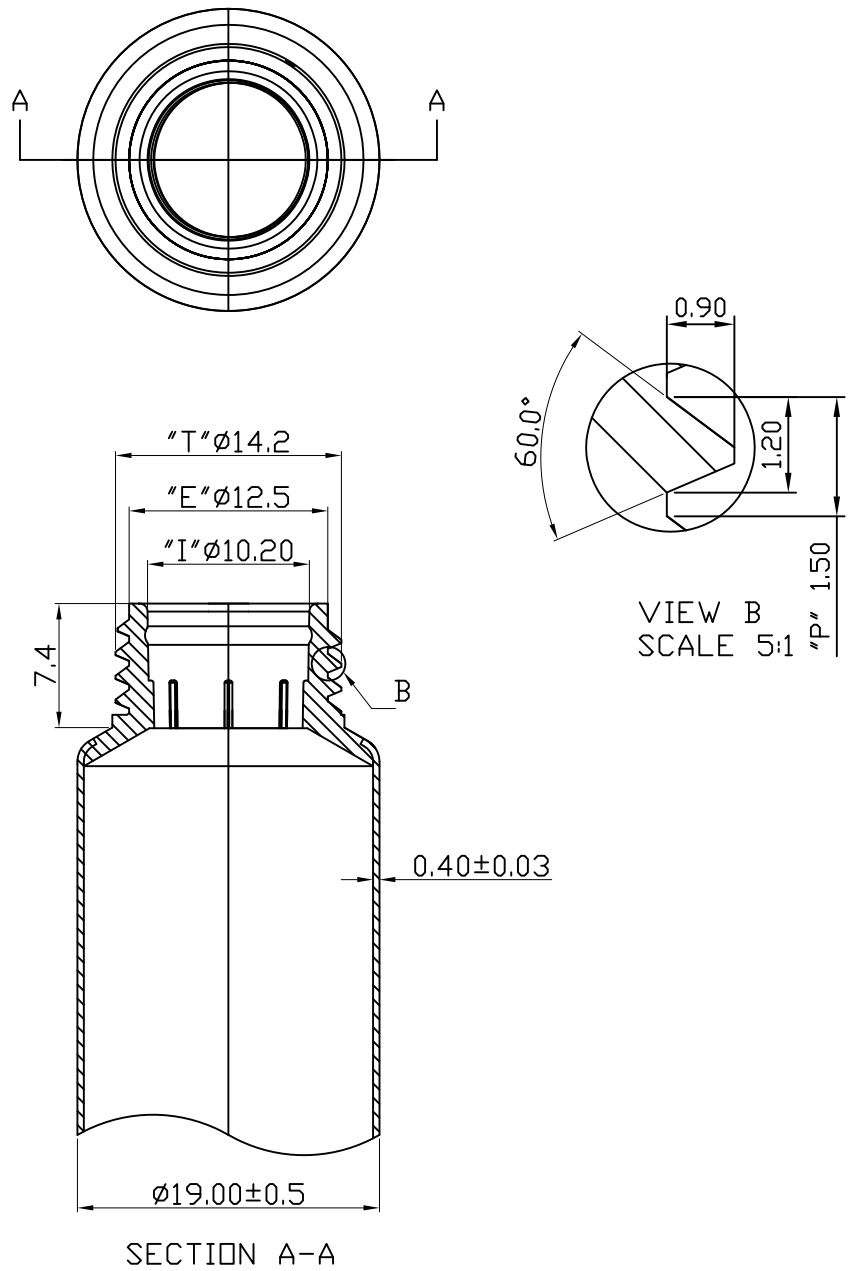
ITEM	DESCRIPTION OF REVISION	REVISED	DATE


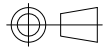


<p>THE INFORMATION CONTAINED IN THIS DRAWING IS THE SOLE PROPERTY OF UDN INTERNATIONAL INC. ANY REPRODUCTION IN PART OR AS WHOLE WITHOUT THE WRITTEN PERMISSION OF UDN INTERNATIONAL INC. IS PROHIBITED.</p>	Designed	Date	Drawing Name:		PT2020016	
	Frank	2018/10/25	Product Name		pump	
	Checked	Date	Drawing/File No.			
	BECK	2018/10/26	Scale	2.5 : 1	Material	PE
	Approved	Date	Unit	mm	View	
GENERAL TOLERANCES		Don't Scale Drawing				
X.X ±0.2						
X.XX ±0.15						
ANGULAR X.X ±0.5°						

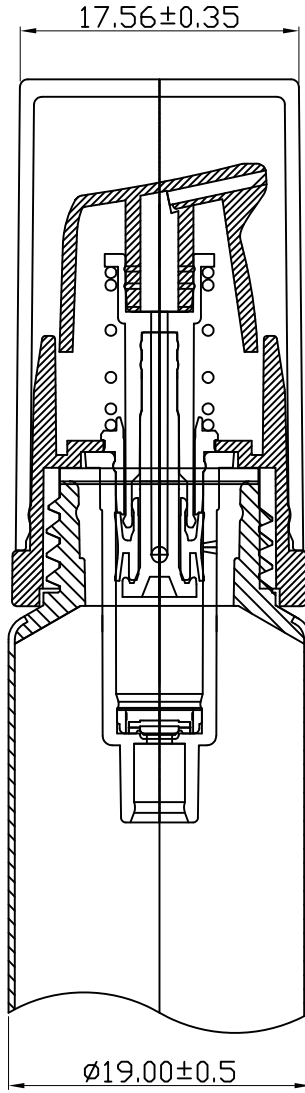
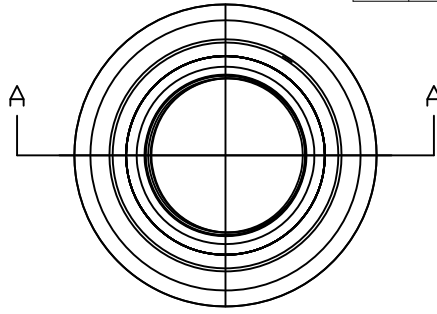


ITEM	DESCRIPTION OF REVISION	REVISED	DATE



THE INFORMATION CONTAINED IN THIS DRAWING IS THE SOLE PROPERTY OF UDN INTERNATIONAL INC. ANY REPRODUCTION IN PART OR AS WHOLE WITHOUT THE WRITTEN PERMISSION OF UDN INTERNATIONAL INC. IS PROHIBITED.	Designed Date Frank 2018/10/25	Drawing Name: PT2020016		
	Checked Date BECK 2018/10/26	Product Name: TUBE		
	Approved Date	Drawing/File No.	Scale 2 : 1	Material PE
	GENERAL TOLERANCES X.X ±0.2 X.XX ±0.15 ANGULAR X.X ±0.5°	Unit mm	View 	Don't Scale Drawing

ITEM	DESCRIPTION OF REVISION	REVISED	DATE



SECTION A-A

SPEC:

- PUMP DOSAGE:0.1ml±0.03ml.
- CAP AND PUMP SPEARATE FORCE :0.3KGF~3.5KGF
- SCREW CAP OVERRUN TORQUE ≧5.0KGF.CM
- SCREW CAP OPENING TORQUE:2.0KGF.CM~8.0KGF.CM
- PRIMING: ≧10 TIMES
- VACUUM LEAK TEST: 0.05MPA FOR 5MIN.

THE INFORMATION CONTAINED IN THIS DRAWING IS THE SOLE PROPERTY OF UDN INTERNATIONAL INC. ANY REPRODUCTION IN PART OR AS WHOLE WITHOUT THE WRITTEN PERMISSION OF UDN INTERNATIONAL INC. IS PROHIBITED.	Designed	Date	Drawing Name:		PT2020016		
	Frank	2018/10/25	Product Name		TUBE		
	Checked	Date	Drawing/File No.				
	BECK	2018/10/26	Scale	2 : 1	Material	PE	
	Approved	Date	Unit	mm	View		
GENERAL TOLERANCES		Don't Scale Drawing					
X.X ±0.2							
X.XX ±0.15							
ANGULAR X.X ±0.5°							

