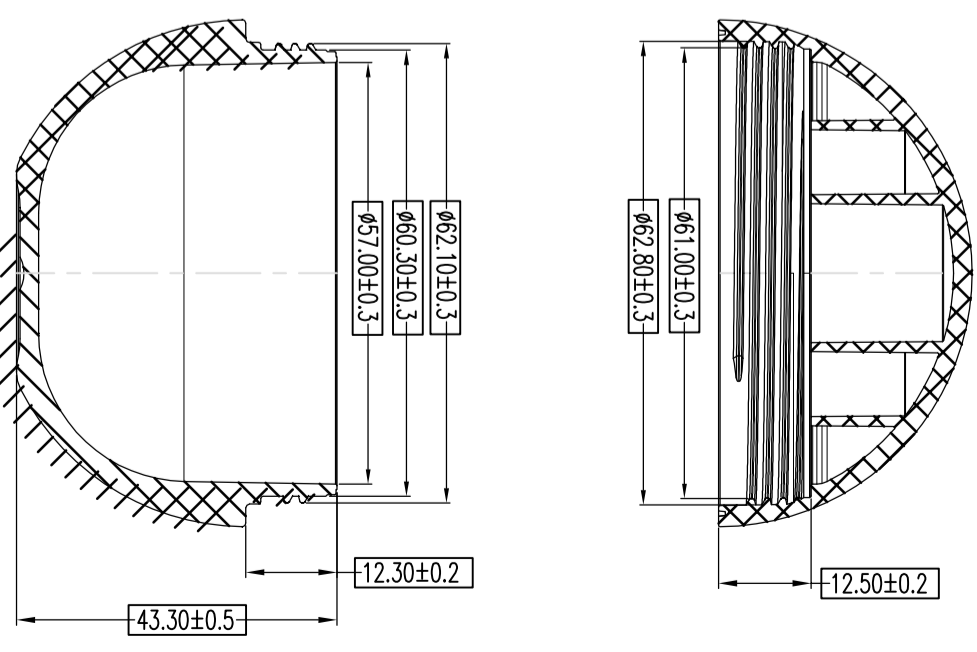
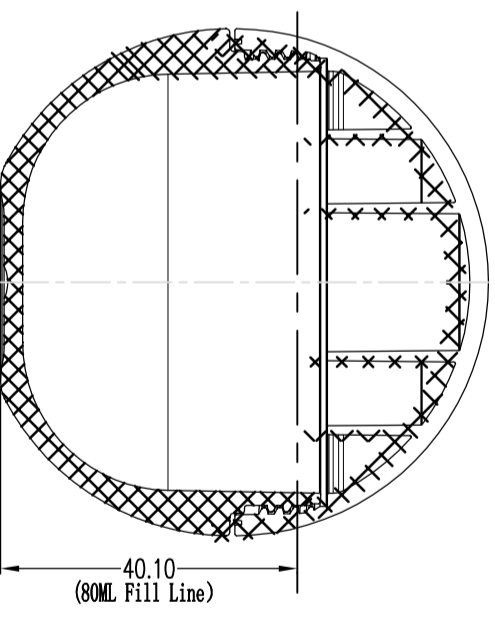
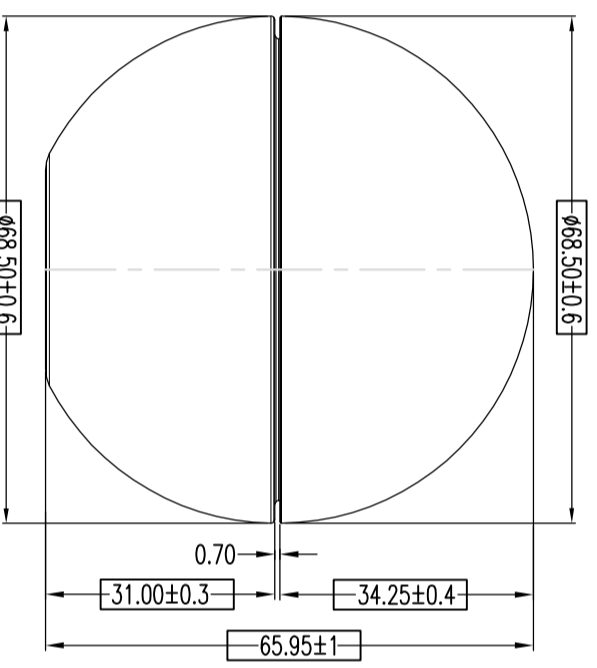
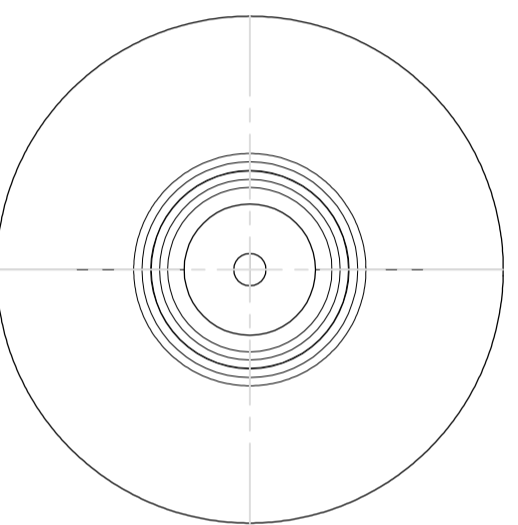
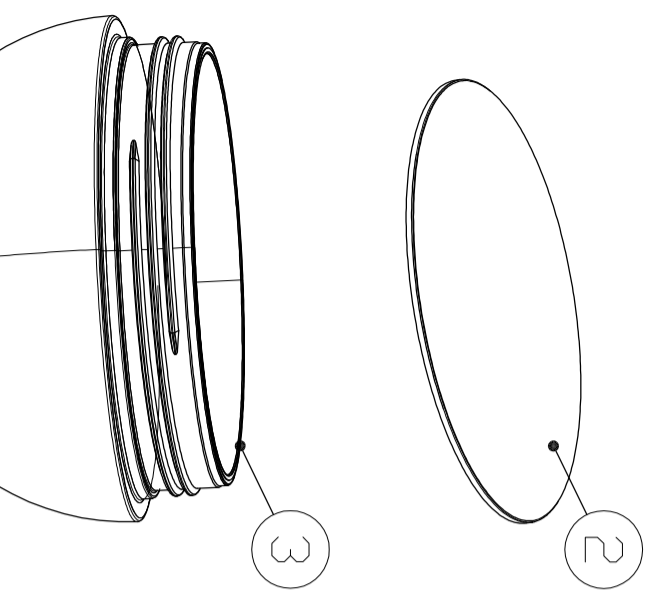
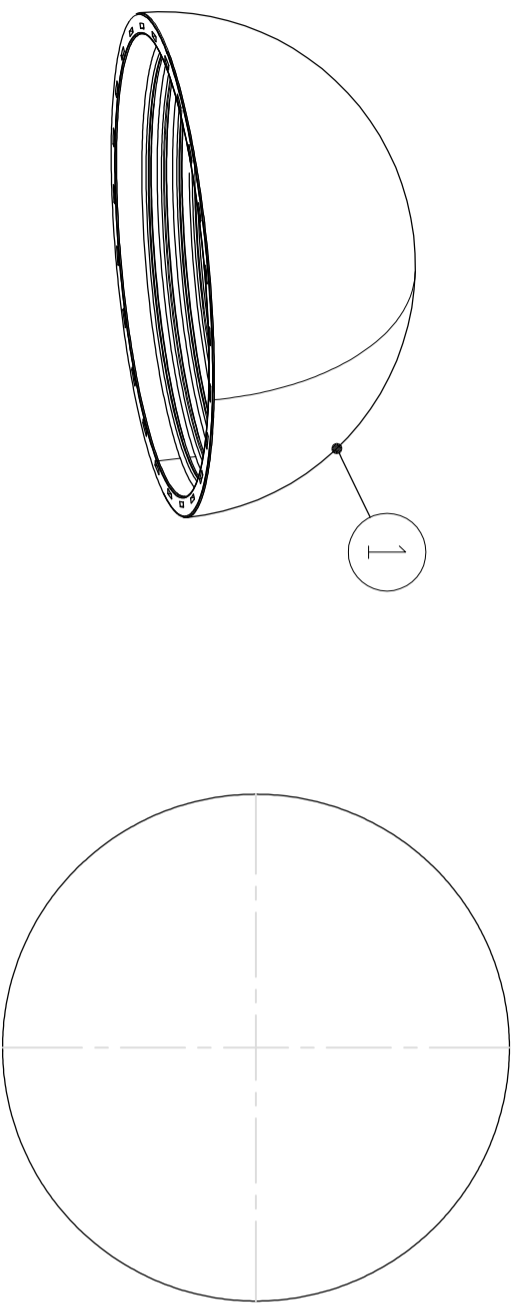


NO.	NAME	MATERIAL	WEIGHT
1	Barrel Cap	PP	18.5g
2	Gasket		
3	Barrel Bottle	PP	27.4g
4			
5			
6			



PJ2020014-80ml

ALLOWABLE TOLERANCE

0-10	± 0.20
11-20	± 0.30
21-35	± 0.40
36-60	± 0.50
61-90	± 0.70
91-150	± 0.90
> 150	± 1.20



Element packaging

Rev	Date	By
01	2020.07.21	XCC
02	2020.07.22	FXL

Rev	Date	By
01		
02		

Product	Weight	OFC	Material
80g Barrel	88ml		

Product ID	Scale	Unit	Material
A447	1:1	MM	

Part Name	Unit	MM	Material

Paper Size	Client	View
A3		