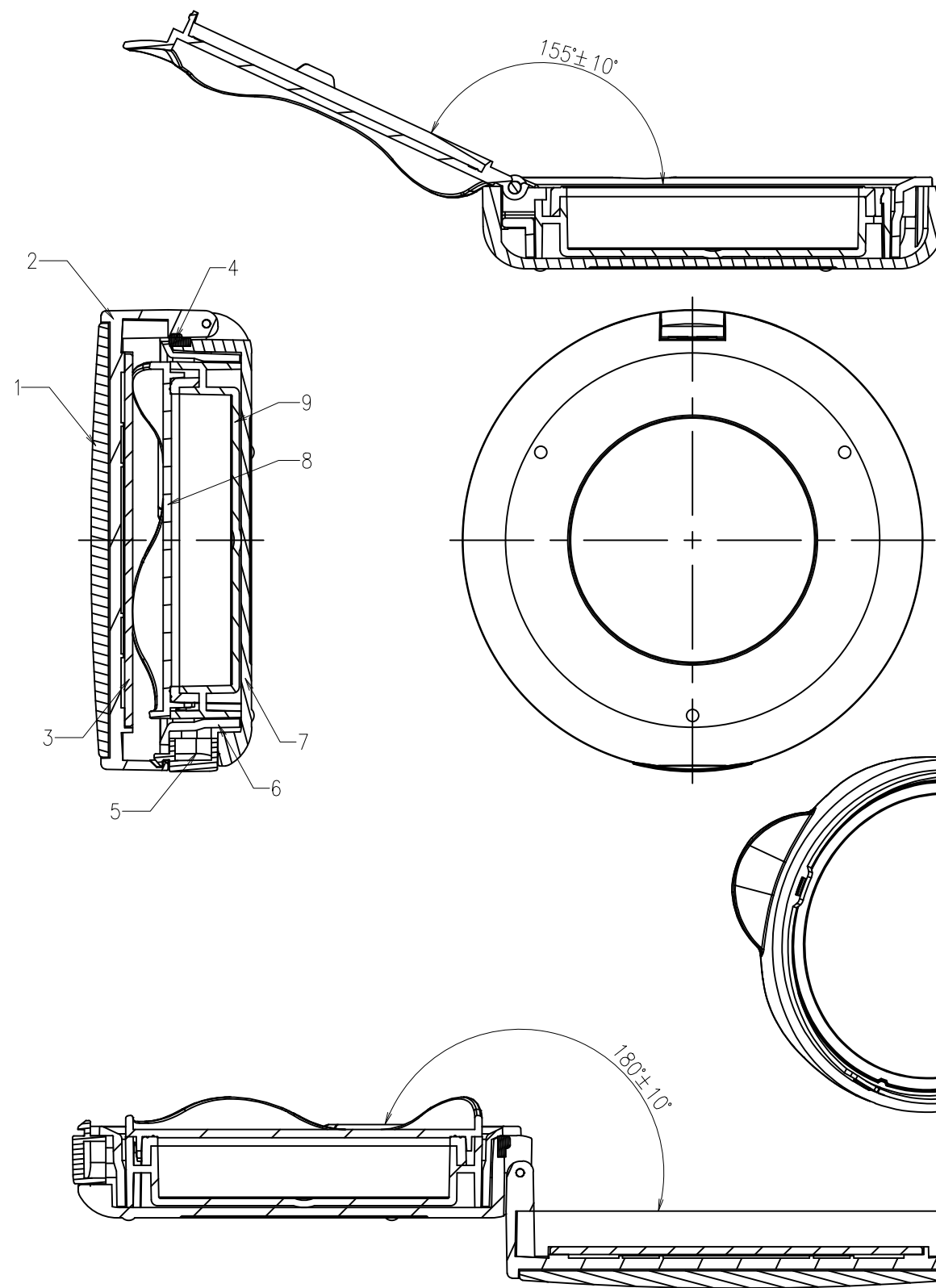
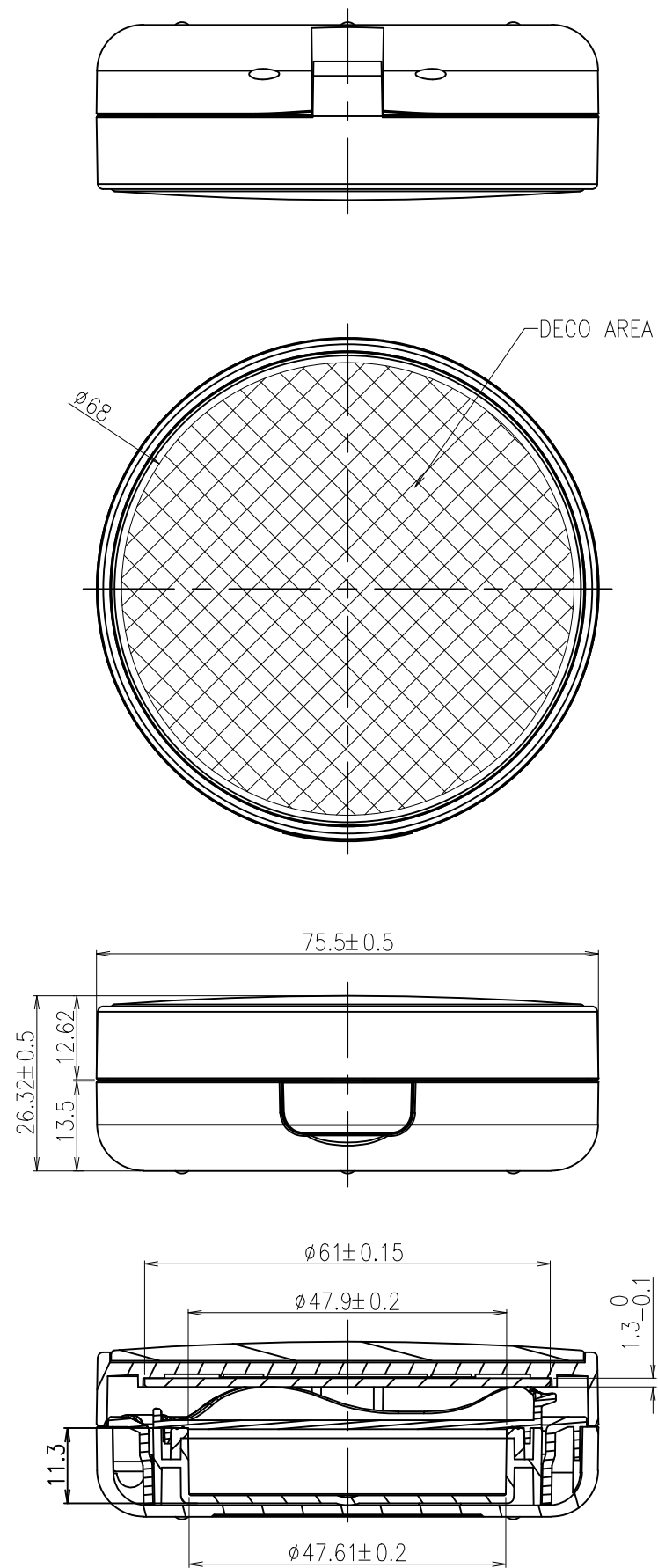


No.	NAME	Material	Drawing No.
1	PLATE	AS/ABS	D16065
2	COVER	ABS	D16064
3	MIRROR	GLASS	D15071
4	RUBBER	SILICON	D15072
5	BUTTON	ABS	D15078
6	INSERT	ABS+AS	D17084
7	BASE	ABS+AS	D17085
8	INNER CAP	PP	D17086
9	INNER BASE	PP+TPE	D17087



NOTE:  
 1.OPENING FORCE RANGE:0.5kgf~2.0kgf REF.  
 2.HINGE BERAKAGE:1.8kgf MIN  
 3.30"DROP REQUIREMENT: NO BREAKAGE  
 4.MIRROR RETENTION FORCE:3kgf MIN  
 5.OPENING ANGLE:0°~180°  
 6.GAP OF COVER&BASE:0.3mm MAX  
 7.STEP OF COVER&BASE:0.3mm MAX  
 8.CAPACITY:17.8ML(AL PAN)

4				CUSTOMER					
3				PART	ASSEMBLY				
2				NAME	COMPACT	DESIGN	SYH	DATE	2017/7/4
1				CODE	PC2020027	CHECKED		APPROVED	
NO.	REVISIONS DESCRIPTION	DRAWN	DATE	SCALE	1:1	PLATE	A3	MATERIAL	---
*Dim. are adjustable based on functional requirement		TOL.	±0.2mm	UNIT	mm[in]	DRAWING NO.	D17083	REV	00