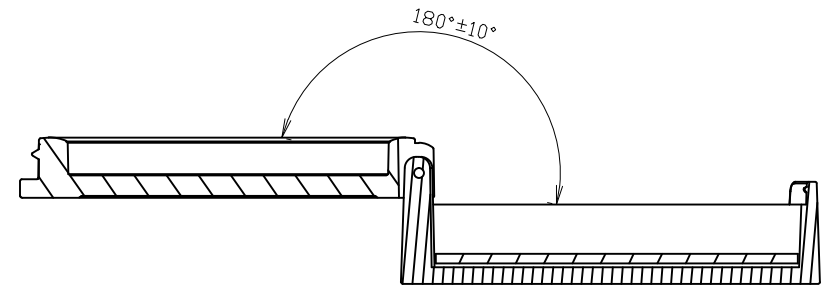
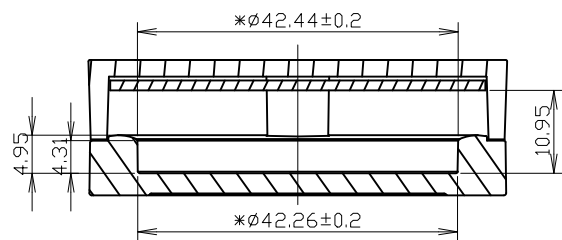
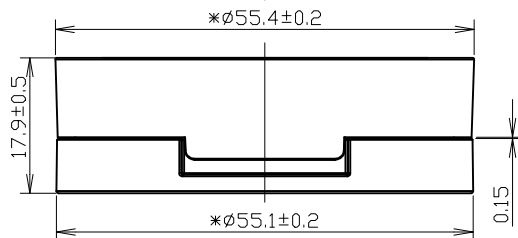
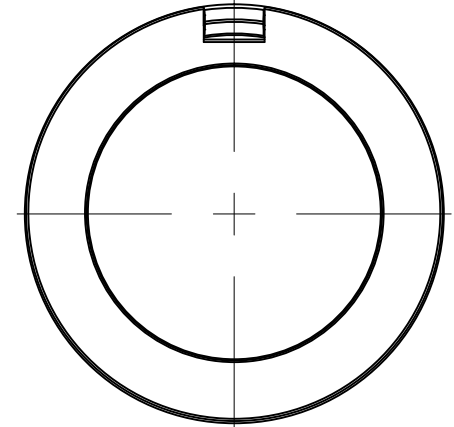
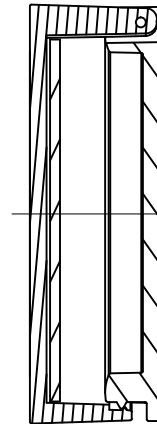
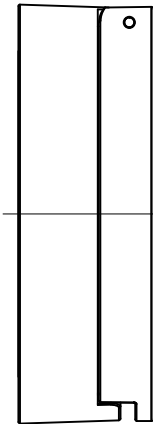
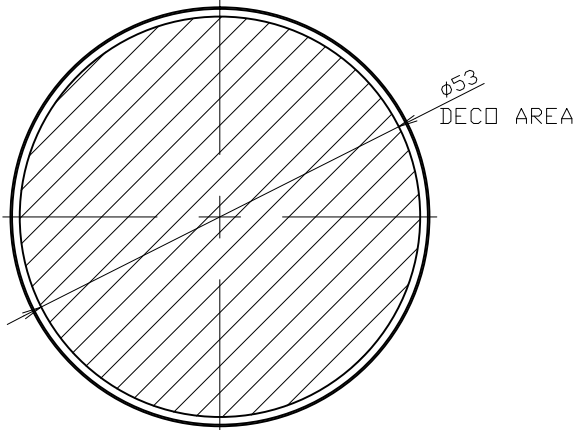
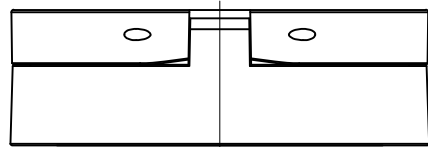



No.	NAME	Material	Drawing No.
1	COVER	ABS/AS	D17067
2	BASE	ABS	D16110
3	MIRROR	GLASS	D17068



NOTE:
 1.OPENING FORCE RANGE:0.2kgf~0.8kgf
 2.HINGE BERAKAGE:1.8kgf min
 3.COVER MUST HOLD POSITION AT ANY ANGLE
 4.30°DROP REQUIREMENT: NO BREAKAGE
 5.CAPACITY(estimated):5.8ML(AL PAN 3.7ml)

4				CUSTOMER							
3				PART						ASSEMBLY	
2				NAME	COMPACT	DESIGN	SYH	DATE	2017/12/7		
1				CODE	PC2020021	CHECKED		APPROVED			
NO.	REVISIONS	DESCRIPTION	DRAWN	DATE	SCALE	1: 1	⊕	PLATE	A4	MATERIAL	--
*Dim. are adjustable based on functional requirement			TOL.	±0.1mm	UNIT	mm [in]	DRAWING NO.	D17066	REV	00	