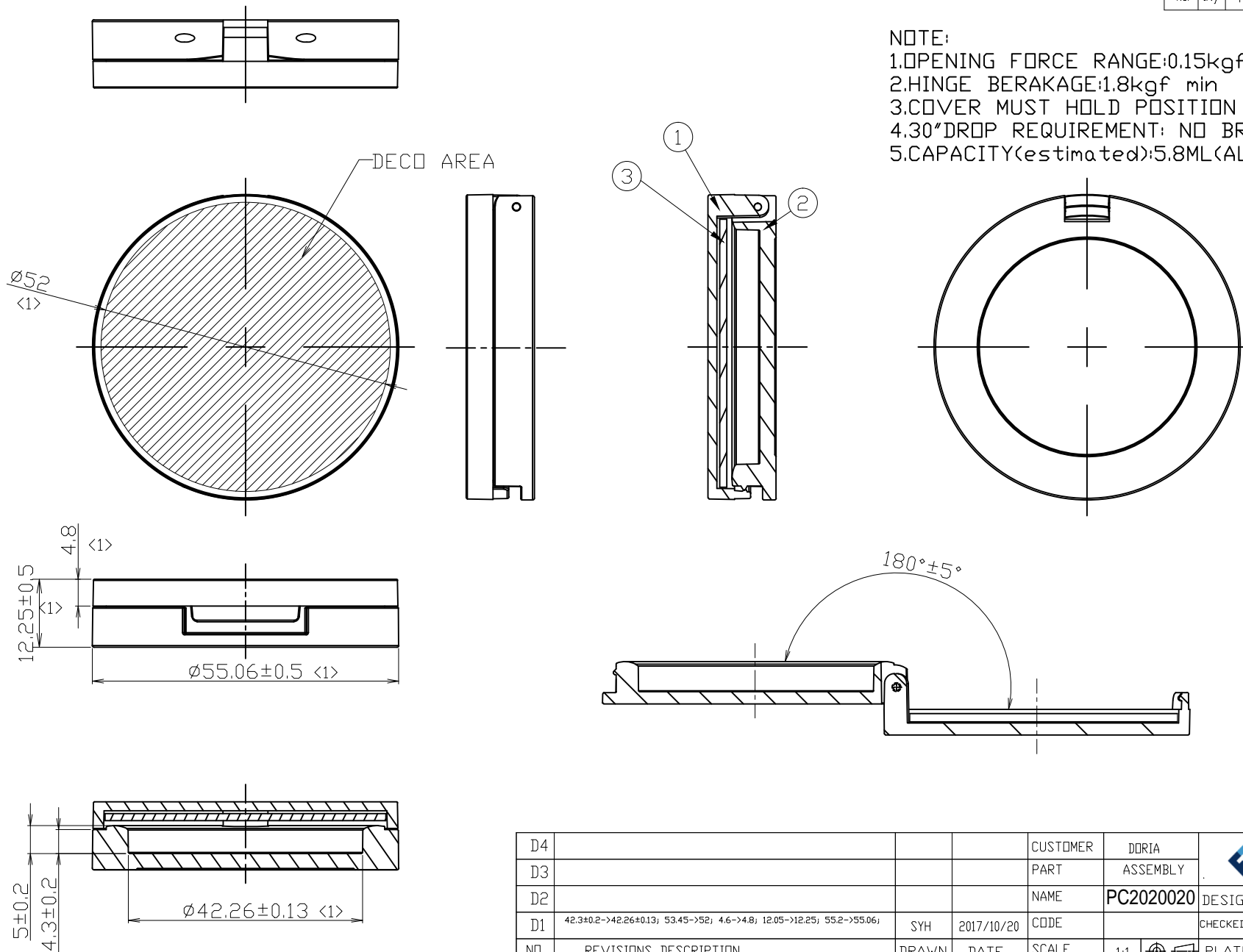


3	BASE	D16150	ABS	
2	MIRROR	D16153	GLASS	
1	COVER	D16151	AS	
No.	Qty	Part name	Part code	Material

NOTE:

- 1.OPENING FORCE RANGE:0.15kgf~1.2kgf
- 2.HINGE BERAKAGE:1.8kgf min
- 3.COVER MUST HOLD POSITION AT ANY ANGLE
- 4.30"DROP REQUIREMENT: NO BREAKAGE
- 5.CAPACITY(estimated):5.8ML(AL PAN 3.7ml)



D4				CUSTOMER	DORIA					
D3				PART	ASSEMBLY					
D2				NAME	PC2020020		DESIGN	BERNIE	DATE	20161230
D1	42.3±0.2→42.26±0.13; 53.45→52; 4.6→4.8; 12.05→12.25; 55.2→55.06;	SYH	2017/10/20	CODE			CHECKED		APPROVED	
NO.	REVISIONS DESCRIPTION	DRAWN	DATE	SCALE	1:1		PLATE	A4	MATERIAL	
*Dim. are adjustable based on functional requirement		TOL.	---	UNIT	mm[in]		DRAWING NO.	D16151	REV	01