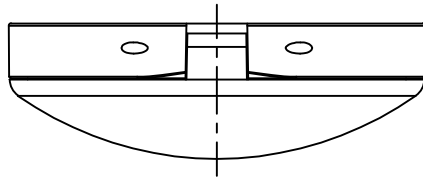
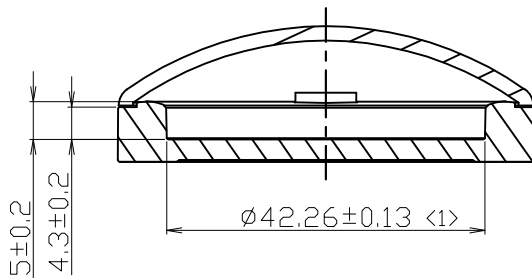
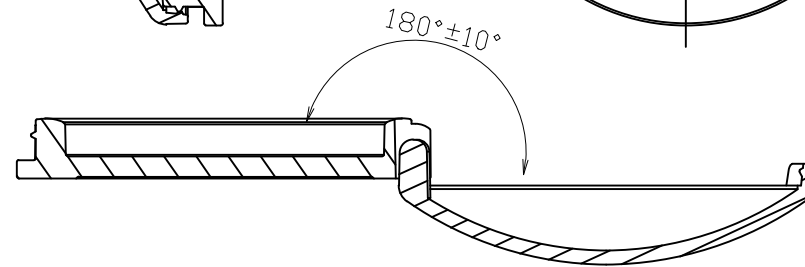
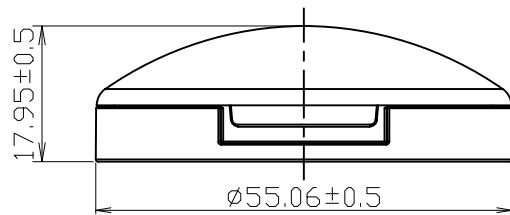
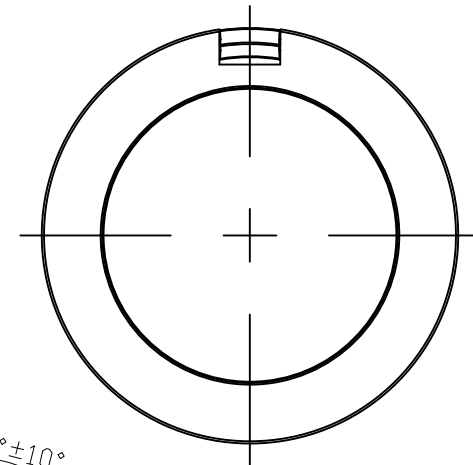
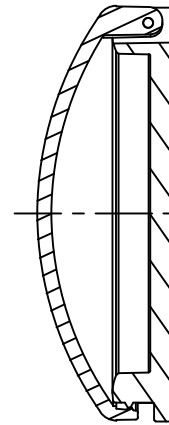
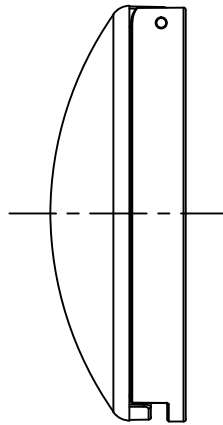
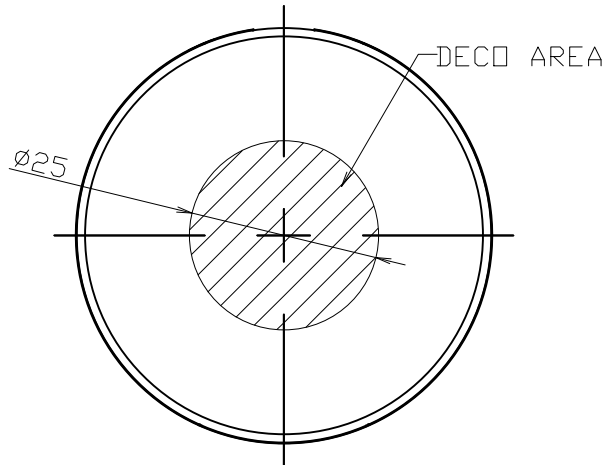

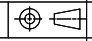


2		BASE	D16150	ABS
1		COVER	D16149	AS
No.	Qty	Part name	Part code	Material



NOTE:
 1.OPENING FORCE RANGE:0.15kgf~1.2kgf
 2.HINGE BERAKAGE:1.8kgf min
 3.COVER MUST HOLD POSITION AT ANY ANGLE
 4.30"DROP REQUIREMENT: NO BREAKAGE
 5.CAPACITY(estimated):5.8ML(AL PAN 3.7ml)



D4				CUSTOMER					
D3				PART	ASSEMBLY				
D2				NAME	PC2020019	DESIGN	BERNIE	DATE	20161230
D1	42.3±0.2->42.26±0.13;	SYH	2017/10/20	CODE	DC012D	CHECKED		APPROVED	
NO.	REVISIONS DESCRIPTION	DRAWN	DATE	SCALE	1:1		PLATE	A4	MATERIAL
*Dim. are adjustable based on functional requirement		TOL.	---	UNIT	mm[in]	DRAWING NO.	D16148	REV	01