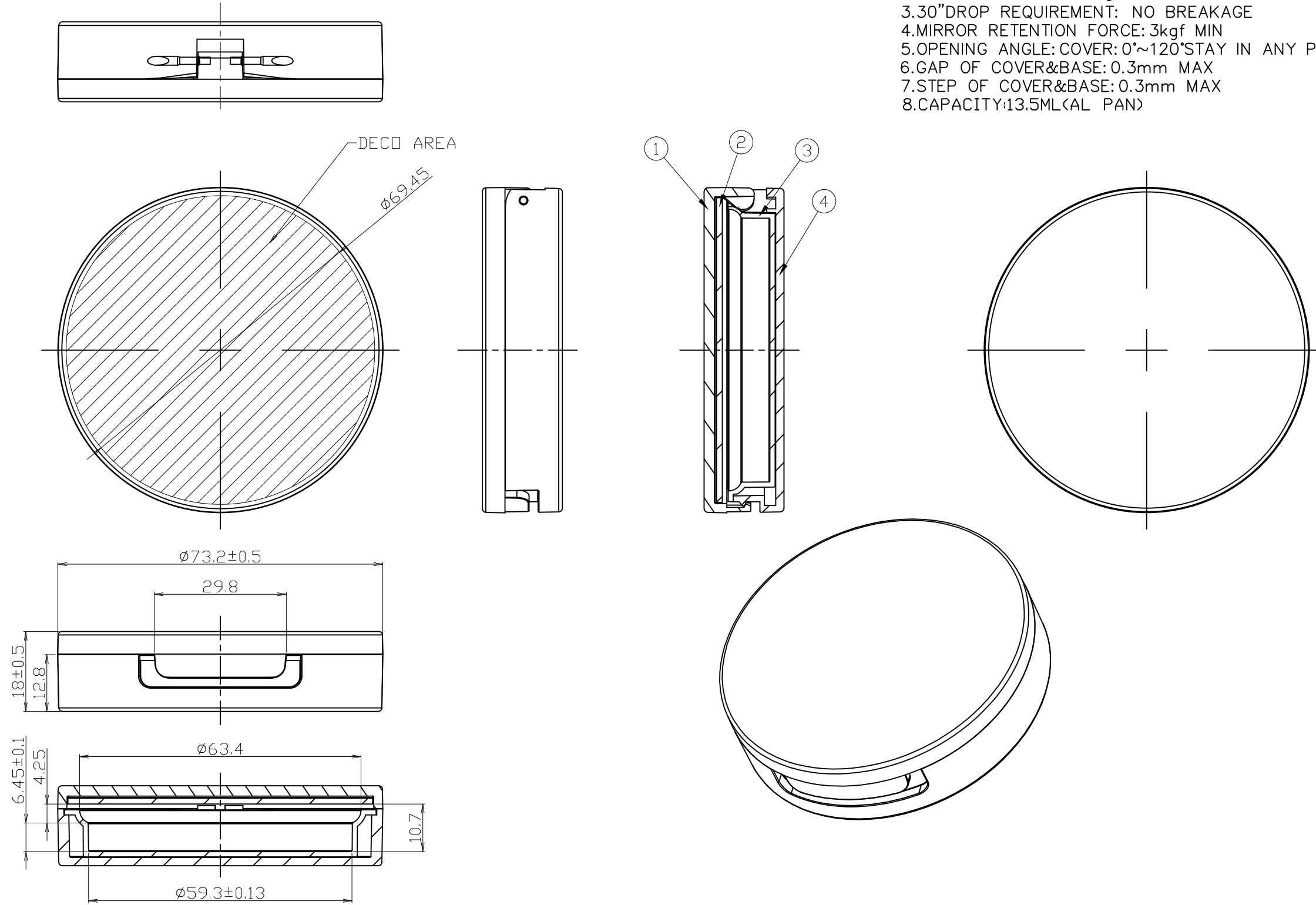


NOTE:
 1.OPENING FORCE RANGE: 0.15kgf~1.2kgf
 2.HINGE BERAKAGE: 1.8kgf MIN
 3.30"DROP REQUIREMENT: NO BREAKAGE
 4.MIRROR RETENTION FORCE: 3kgf MIN
 5.OPENING ANGLE: COVER: 0°~120°STAY IN ANY POSITION
 6.GAP OF COVER&BASE: 0.3mm MAX
 7.STEP OF COVER&BASE: 0.3mm MAX
 8.CAPACITY:13.5ML(AL PAN)



3	1	BASE	D14039	ABS
3	1	INSERT	D14040	ABS
2	1	MIRROR	---	GLASS
1	1	COVER	D12077	ABS
No.	Qty	Part name	Drawing No.	Material

TOLERANCE
 0-6 : ± 0.1
 6-30 : ± 0.2
 30-120 : ± 0.3
 120-315 : ± 0.5
 Angle: $\pm 0.5^\circ$
 sharp
 edges: R0.2mox

4				CUSTOMER	---					
3				PART	ASSEMBLY					
2				NAME	ROUND COMPACT	DESIGN	Leo	DATE	2014/8/22	
1				CODE	PC2020018	CHECKED		APPROVED		
NO.	REVISIONS DESCRIPTION	DRAWN	DATE	SCALE	1:1		PLATE	A3	MATERIAL	---
*Dim. are adjustable based on functional requirement		TOL.	---	UNIT	mm [in]	DRAWING NO.	D14038	REV	00	