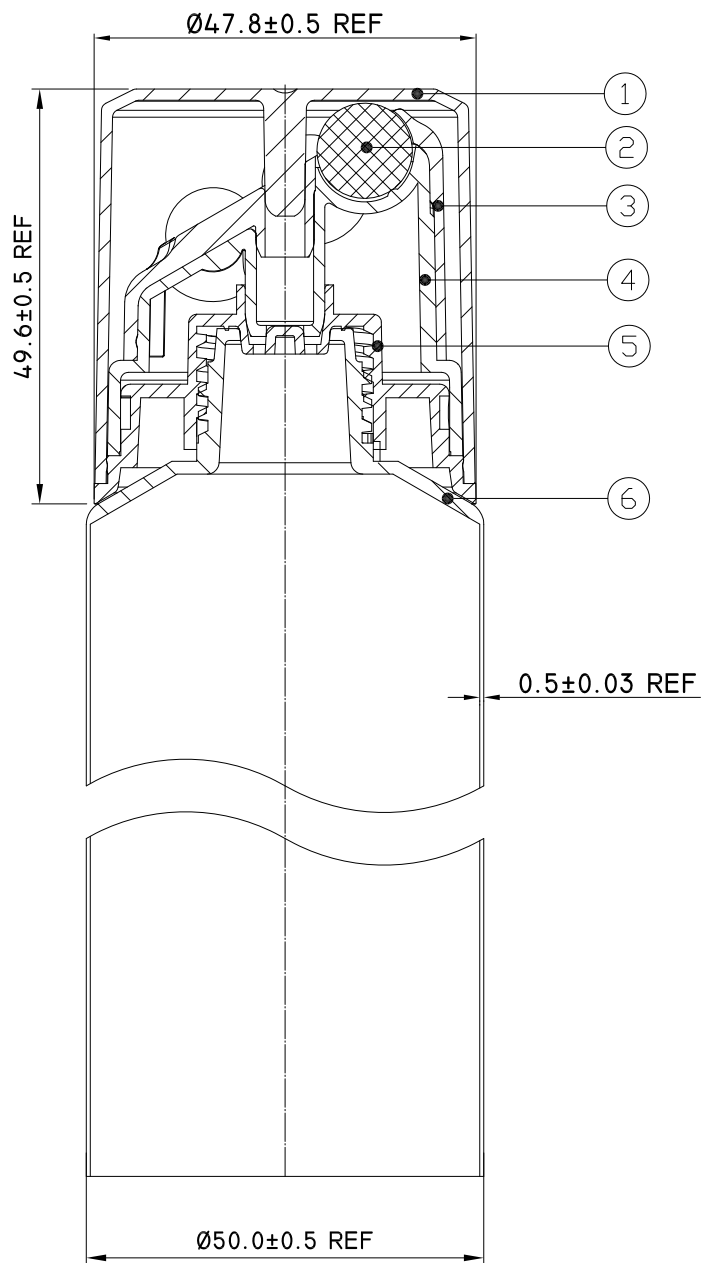


ITEM	DESCRIPTION OF REVISION	REVISED BY	DATE
⚠			



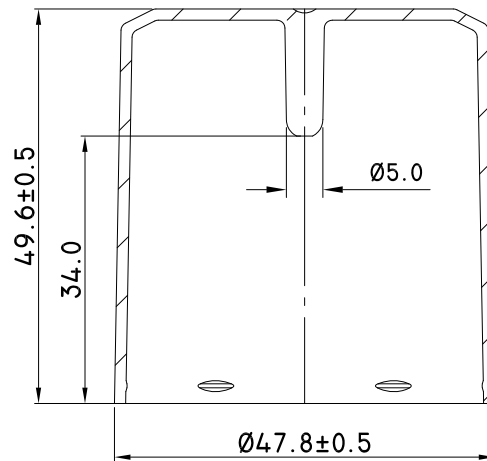
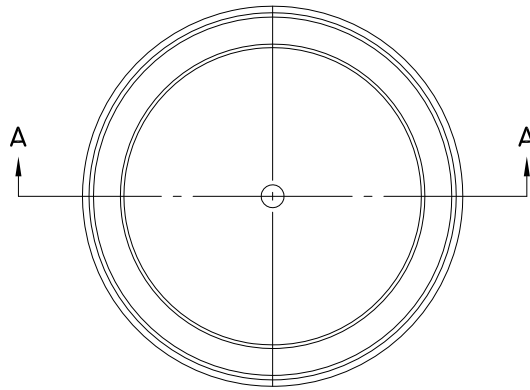
SECTION A-A

6	TUBE	D50-XB22	PE
5	HOLDER	CJ032	PP
4	BALL BASE	CB018-B	PP
3	COVER	CB018-A	PP
2	BALL	Ø12MM/5PCS	SUS
1	CAP	PL022	PP
No	PARTS	PART CODE	MATERIALS

<p><b>PROPRIETARY AND CONFIDENTIAL</b></p> <p>THE INFORMATION CONTAINED IN THIS DRAWING IS THE SOLE PROPERTY OF UDN INTERNATIONAL INC. ANY REPRODUCTION IN PART OR AS A WHOLE WITHOUT THE WRITTEN PERMISSION OF UDN INTERNATIONAL INC. IS PROHIBITED.</p>	Designed <b>QMX</b>	Date <b>2019/10/10</b>	Drawing Name: <b>PT2020021</b>	
	Checked <b>BECK</b>	Date <b>2018/10/10</b>	Product Name <b>ASSEMBLY</b>	
	Approved	Date	Drawing/File No.	
	GENERAL TOLERANCES		Scale	1 : 1
	X.X ±0.2	Unit	mm	View
	X.XX ±0.15	Don't Scale Drawing		
	ANGULAR X.X ±0.5°			



ITEM	DESCRIPTION OF REVISION	REVISED BY	DATE
△			

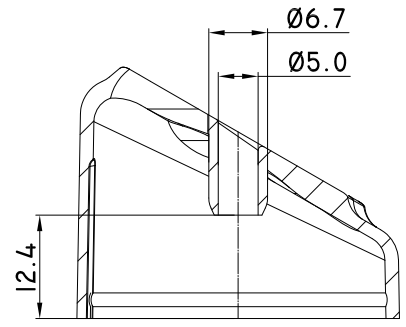
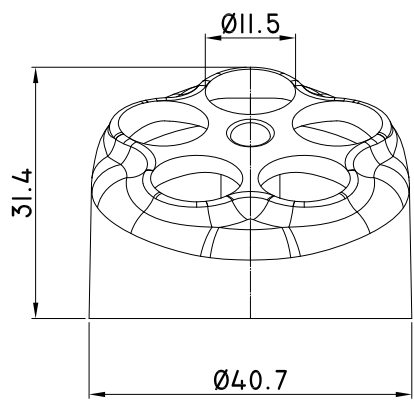
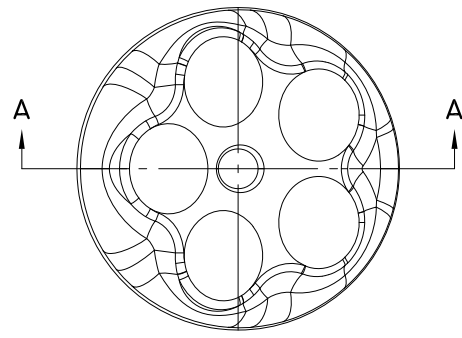


SECTION A-A

<p><b>PROPRIETARY AND CONFIDENTIAL</b></p> <p>THE INFORMATION CONTAINED IN THIS DRAWING IS THE SOLE PROPERTY OF UDN INTERNATIONAL INC. ANY REPRODUCTION IN PART OR AS A WHOLE WITHOUT THE WRITTEN PERMISSION OF UDN INTERNATIONAL INC. IS PROHIBITED.</p>	Designed <b>QMX</b> 2019/10/10	Date 2019/10/10	Drawing Name: <b>PT2020021</b>		
	Checked <b>BECK</b> 2018/10/10	Date 2018/10/10	Product Name <b>CAP</b>		
	Approved	Date	Drawing/File No.		
	<b>GENERAL TOLERANCES</b>		Scale	1 : 1	Material <b>PP</b>
	X.X ±0.2 X.XX ±0.15 ANGULAR X.X ±0.5°		Unit	mm	View 
Don't Scale Drawing					



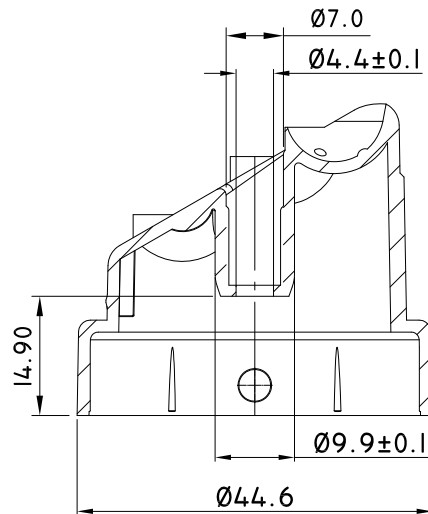
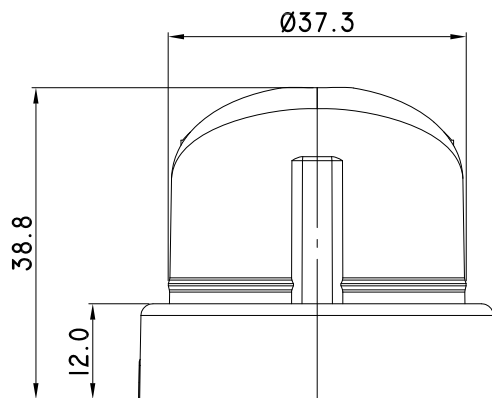
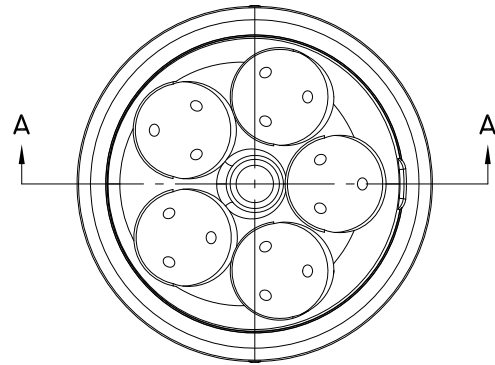
ITEM	DESCRIPTION OF REVISION	REVISED BY	DATE
△			



SECTION A-A

<p><b>PROPRIETARY AND CONFIDENTIAL</b></p> <p>THE INFORMATION CONTAINED IN THIS DRAWING IS THE SOLE PROPERTY OF UDN INTERNATIONAL INC. ANY REPRODUCTION IN PART OR AS A WHOLE WITHOUT THE WRITTEN PERMISSION OF UDN INTERNATIONAL INC. IS PROHIBITED.</p>	Designed <b>QMX</b>	Date <b>2019/10/10</b>	Drawing Name: <b>PT2020021</b>		
	Checked <b>BECK</b>	Date <b>2018/10/10</b>	Product Name <b>COVER</b>		
	Approved	Date	Drawing/File No.		
	<b>GENERAL TOLERANCES</b>		Scale	1 : 1	Material <b>PP</b>
	X.X ±0.2 X.XX ±0.15 ANGULAR X.X ±0.5°		Unit	mm	View 
Don't Scale Drawing					

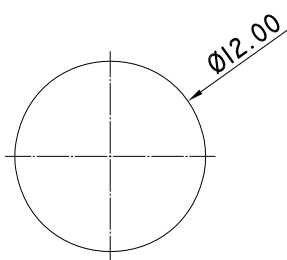
ITEM	DESCRIPTION OF REVISION	REVISED BY	DATE
△			



SECTION A-A

<p><b>PROPRIETARY AND CONFIDENTIAL</b></p> <p>THE INFORMATION CONTAINED IN THIS DRAWING IS THE SOLE PROPERTY OF UDN INTERNATIONAL INC. ANY REPRODUCTION IN PART OR AS A WHOLE WITHOUT THE WRITTEN PERMISSION OF UDN INTERNATIONAL INC. IS PROHIBITED.</p>	Designed <b>QMX</b>	Date <b>2019/10/10</b>	Drawing Name: <b>PT2020021</b>		
	Checked <b>BECK</b>	Date <b>2018/10/10</b>	Product Name <b>BALL BASE</b>		
	Approved	Date	Drawing/File No.		
	<b>GENERAL TOLERANCES</b>		Scale	1 : 1	Material <b>PP</b>
	X.X ±0.2 X.XX ±0.15 ANGULAR X.X ±0.5°		Unit	mm	View 
Don't Scale Drawing					

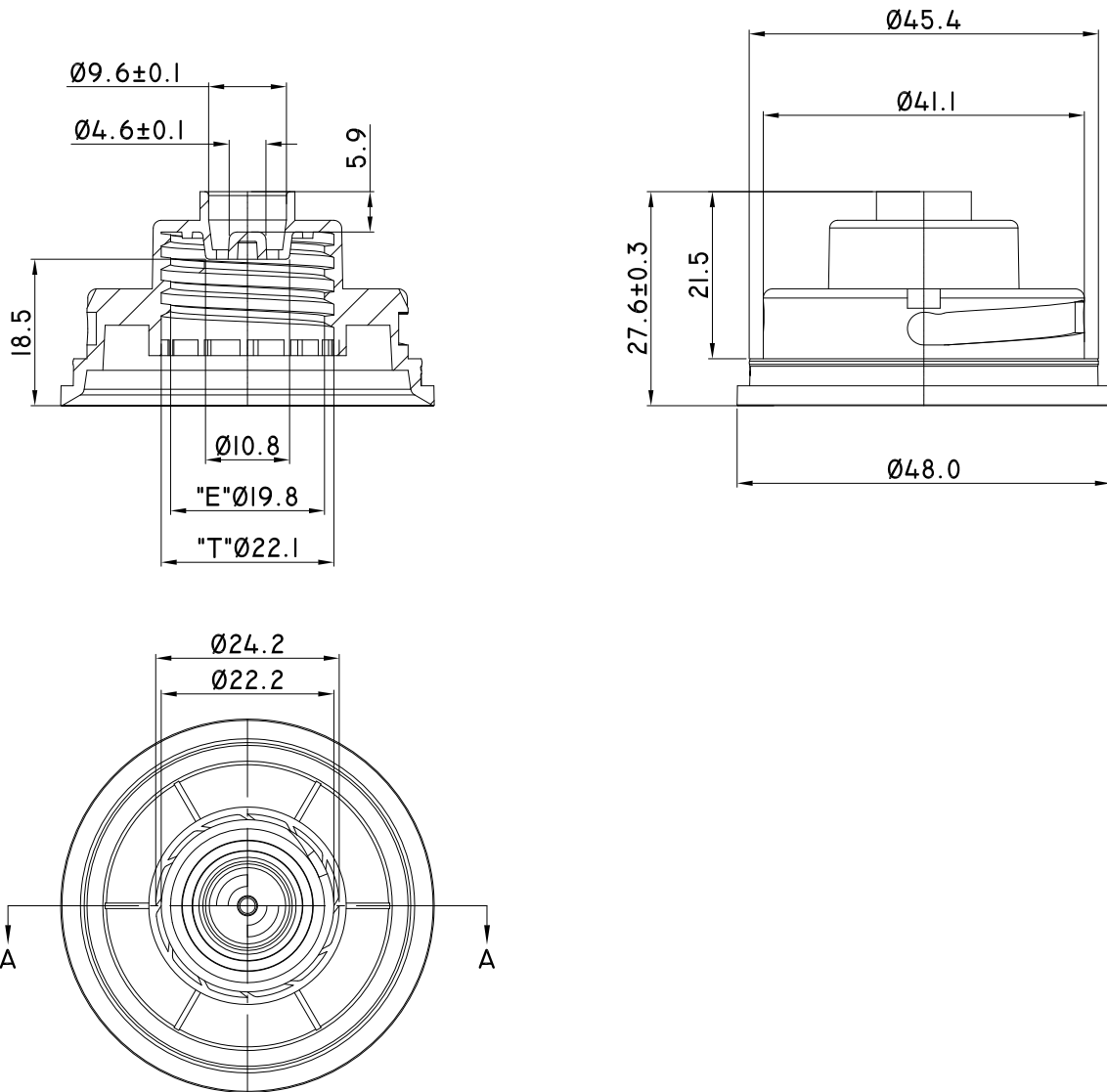
ITEM	DESCRIPTION OF REVISION	REVISED BY	DATE
△			




<p><b>PROPRIETARY AND CONFIDENTIAL</b></p> <p>THE INFORMATION CONTAINED IN THIS DRAWING IS THE SOLE PROPERTY OF UDN INTERNATIONAL INC. ANY REPRODUCTION IN PART OR AS WHOLE WITHOUT THE WRITTEN PERMISSION OF UDN INTERNATIONAL INC. IS PROHIBITED.</p>	Designed <b>QMX</b> Date 2019/10/10	Drawing Name:	<b>PT2020021</b>			
	Checked <b>BECK</b> Date 2018/10/10	Product Name	<b>BALL</b>			
	Approved Date	Drawing/File No.				
	<b>GENERAL TOLERANCES</b>	Scale	2 : 1	Material	<b>SUS</b>	
		Unit	mm	View		
	X.X      ±0.2 X.XX     ±0.15 ANGULAR X.X ±0.5°	Don't Scale Drawing				

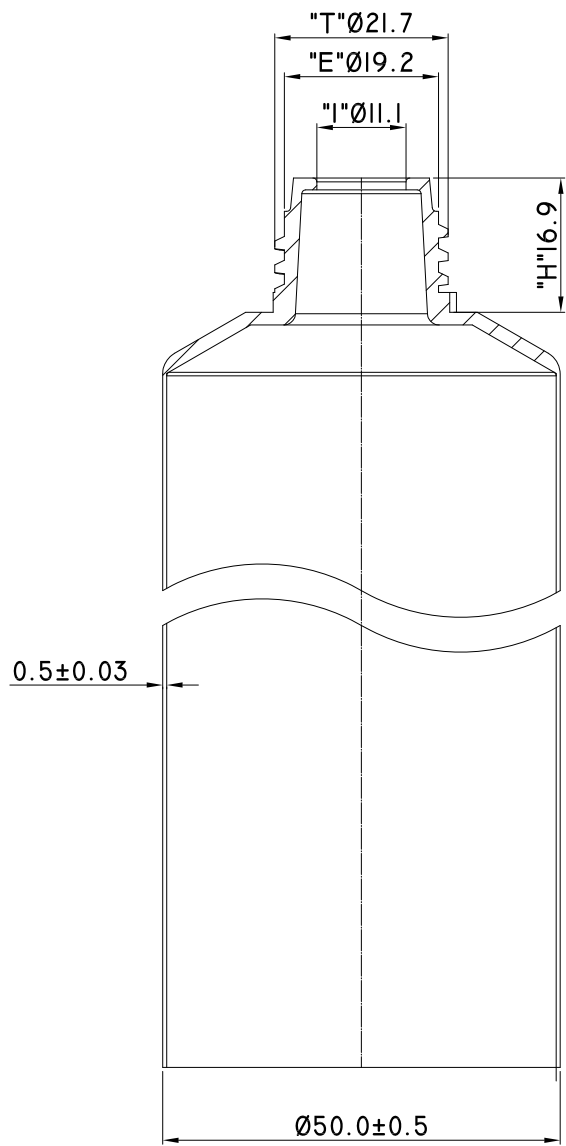
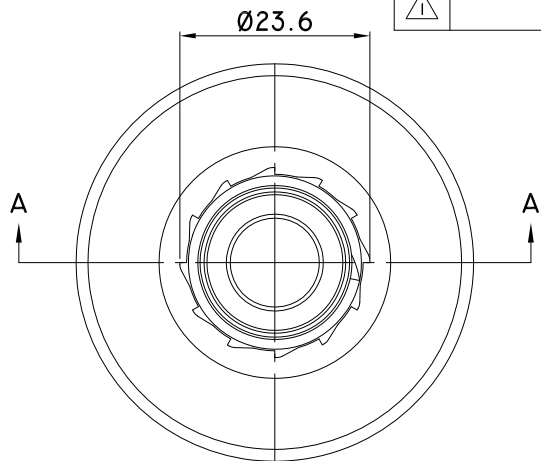


ITEM	DESCRIPTION OF REVISION	REVISED BY	DATE
△			



<p><b>PROPRIETARY AND CONFIDENTIAL</b></p> <p>THE INFORMATION CONTAINED IN THIS DRAWING IS THE SOLE PROPERTY OF UDN INTERNATIONAL INC. ANY REPRODUCTION IN PART OR AS A WHOLE WITHOUT THE WRITTEN PERMISSION OF UDN INTERNATIONAL INC. IS PROHIBITED.</p>	Designed <b>QMX</b>	Date <b>2019/10/10</b>	Drawing Name: <b>PT2020021</b>	
	Checked <b>BECK</b>	Date <b>2018/10/10</b>	Product Name <b>HOLDER</b>	
	Approved	Date	Drawing/File No.	
	<b>GENERAL TOLERANCES</b>		Scale	1 : 1
	X.X ±0.2	Unit	mm	View
	X.XX ±0.15	Don't Scale Drawing		
	ANGULAR X.X ±0.5°			
				

ITEM	DESCRIPTION OF REVISION	REVISED BY	DATE
△			



SECTION A-A

**PROPRIETARY AND CONFIDENTIAL**

THE INFORMATION CONTAINED IN THIS DRAWING IS THE SOLE PROPERTY OF UDN INTERNATIONAL INC. ANY REPRODUCTION IN PART OR AS A WHOLE WITHOUT THE WRITTEN PERMISSION OF UDN INTERNATIONAL INC. IS PROHIBITED.

Designed <b>QMX</b>	Date 2019/10/10	Drawing Name:	<b>PT2020021</b>		
Checked <b>BECK</b>	Date 2018/10/10	Product Name	<b>TUBE</b>		
Approved	Date	Drawing/File No.			
GENERAL TOLERANCES		Scale	1 : 1	Material	PE
		Unit	mm	View	
		ANGULAR X.X ±0.5°			
Don't Scale Drawing					

