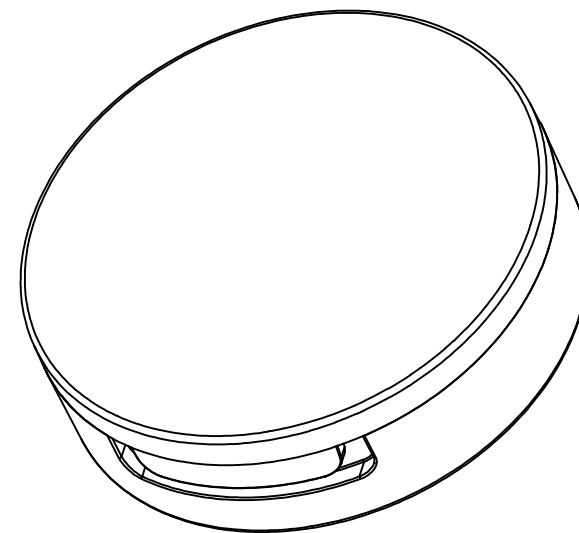
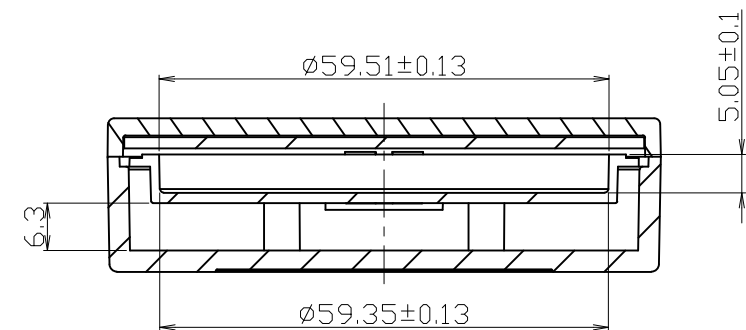
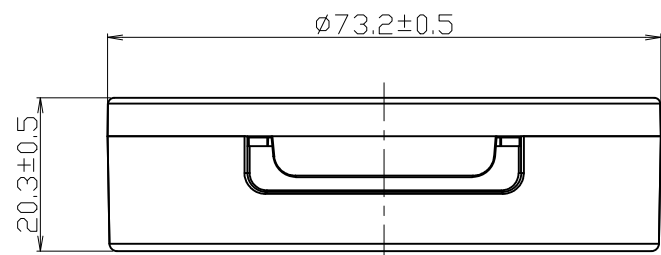
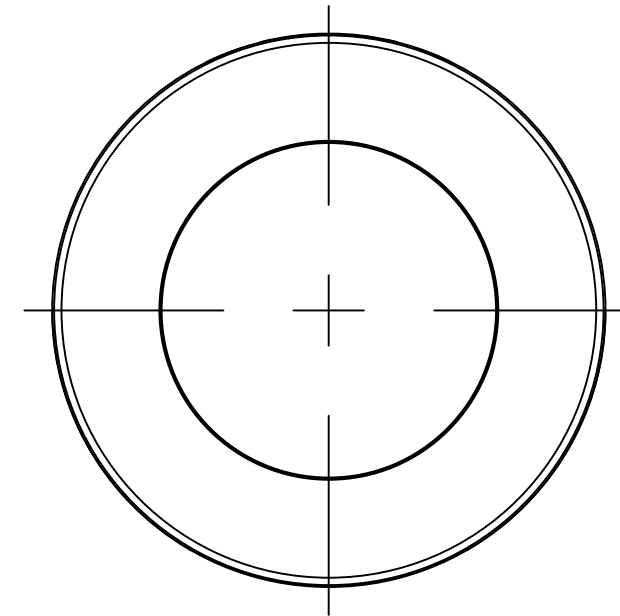
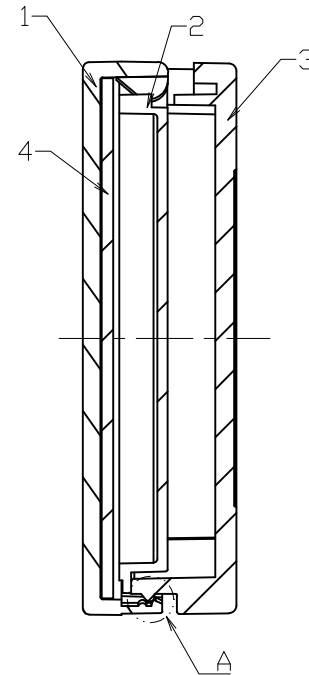
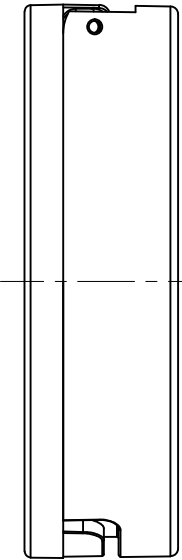
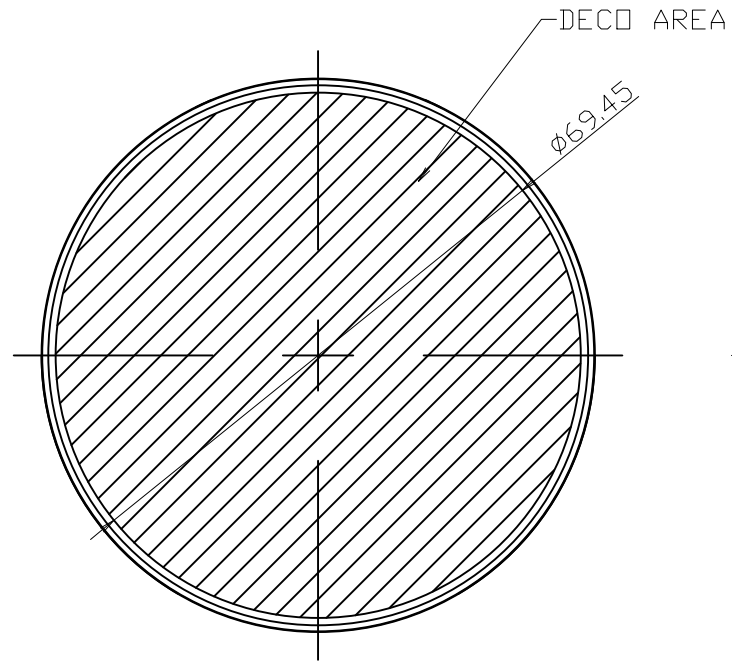


DETAIL A S=5:1

- NOTE:
- 1.OPENING FORCE RANGE:0.15kgf~1.2kgf
 - 2.HINGE BERAKAGE:1.8kgf MIN
 - 3.30"DROP REQUIREMENT: NO BREAKAGE
 - 4.MIRROR RETENTION FORCE:3kgf MIN
 - 5.OPENING ANGLE:COVER:0°~125°, INSERT:0°~10°,10°~125°, STAY IN ANY POSITION
 - 6.GAP OF COVER&BASE:0.3mm MAX
 - 7.STEP OF COVER&BASE:0.3mm MAX
 - 8.CAPACITY:9.9ML(AL PAN)



4	1	MIRROR	---	GLASS
3	1	BASE	D14059	ABS
2	1	INSERT	D12078	AS/ABS
1	1	COVER	D12077	AS/ABS
No.	Qty	Part name	Drawing No.	Material

TOLERANCE
 0-6 :±0.1
 6-30 :±0.2
 30-120 :±0.3
 120-315 :±0.5
 Angle: ±0.5°
 sharp
 edges: R0.2mox

4				CUSTOMER							
3				PART	ASSEMBLY						
2				NAME	2-WAY COMPACT	DESIGN	Leo	DATE	2014/4/7		
1				CODE	PC2020017	CHECKED		APPROVED			
NO.	REVISIONS	DESCRIPTION	DRAWN	DATE	SCALE	1:1	⊕	PLATE	A3	MATERIAL	---
*Dim. are adjustable based on functional requirement			TOL.	---	UNIT	mm[in]	DRAWING NO.	D14058	REV	00	