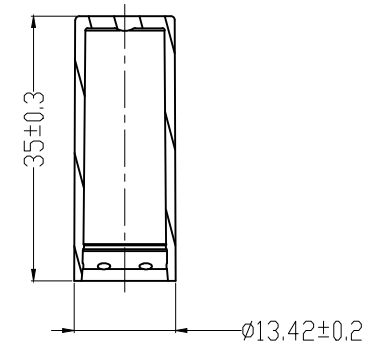
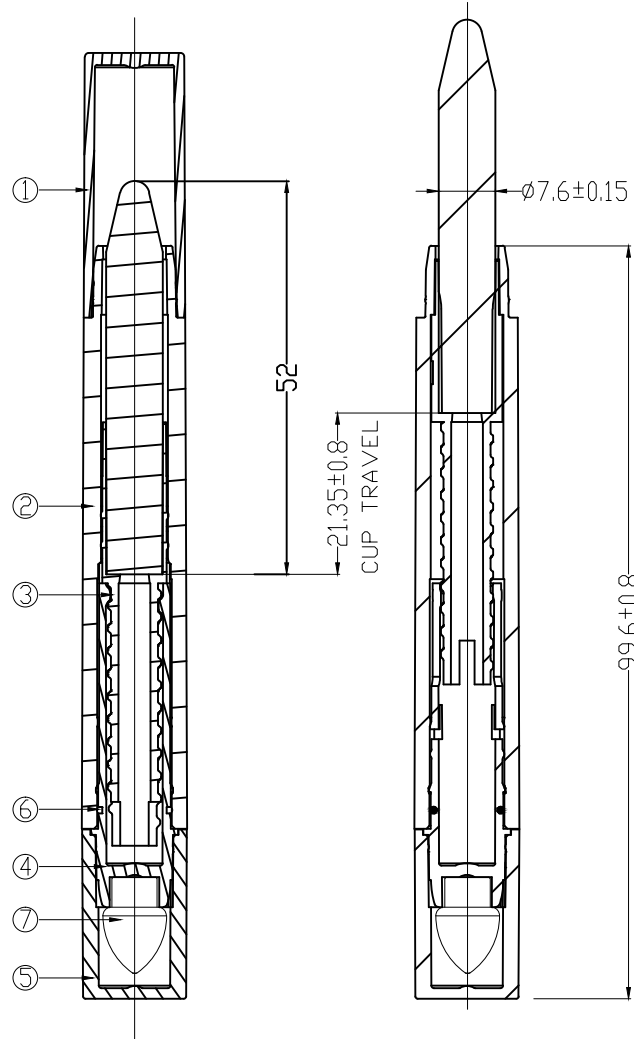
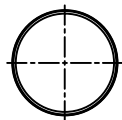
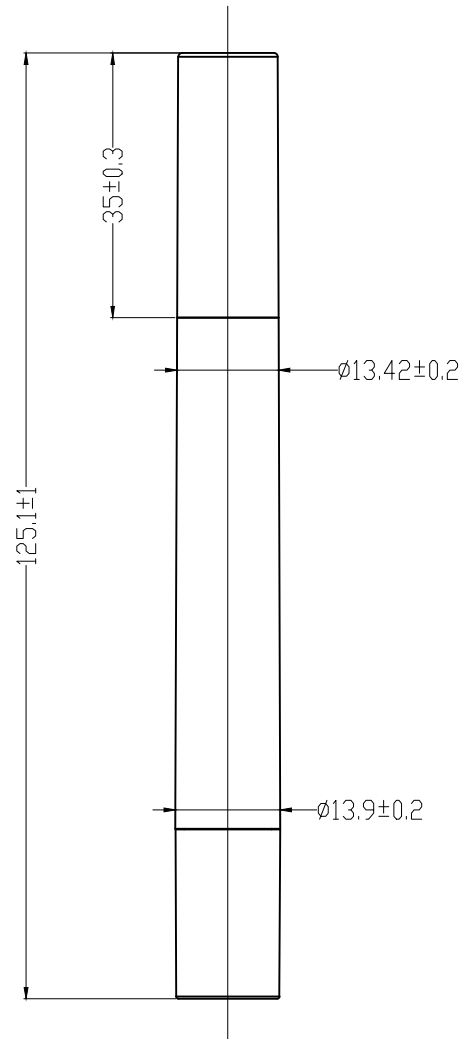


|     |     |           |           |          |
|-----|-----|-----------|-----------|----------|
| 7   |     | SPONGE    | ---       | NBR      |
| 6   |     | O-RING    | ---       | NBR      |
| 5   |     | END CAP   | D17047    | ABS      |
| 4   |     | BASE      | D16076    | ABS      |
| 3   |     | CUP       | D13045    | PPM      |
| 2   |     | BODY      | D17046    | ABS      |
| 1   |     | CAP       | D17045    | ABS      |
| No. | Qty | Part name | Part code | Material |



NOTE:

- 1.CAP REMOVAL FORCE:1.0~5.5kgf
- 2.BASE REMOVAL FORCE:4.0kgf MIN
- 3.SWIVEL UP/DOWN TORQUE:1~10N.cm
- 4.SWIVEL DOWN OVERRIDE:6N.cm MIN
- 5.CUP PUSH BACK FORCE:1.5kgf MIN
- 6.CAPACITY(estimated):2.0ml
- 7.End cap REMOVAL FORCE:3.5kgf

|  |                       |       |      |          |           |                   |        |          |            |
|--|-----------------------|-------|------|----------|-----------|-------------------|--------|----------|------------|
| D4   |                       |       |      | CUSTOMER |           | Element packaging |        |          |            |
| D3   |                       |       |      | PART     | ASM       |                   |        |          |            |
| D2   |                       |       |      | NAME     | PEN       | DESIGN            | BERNIE | DATE     | 2018/10/19 |
| D1   |                       |       |      | CODE     | PP2020015 | CHECKED           |        | APPROVED |            |
| NO.  | REVISIONS DESCRIPTION | DRAWN | DATE | SCALE    | 1:1       |                   | PLATE  | A4       | MATERIAL   |
| *Dim. are adjustable based on functional requirement |                       | TOL.  | ---  | UNIT     | mm[in]    | DRAWING NO.       | D17044 | REV      | 00         |