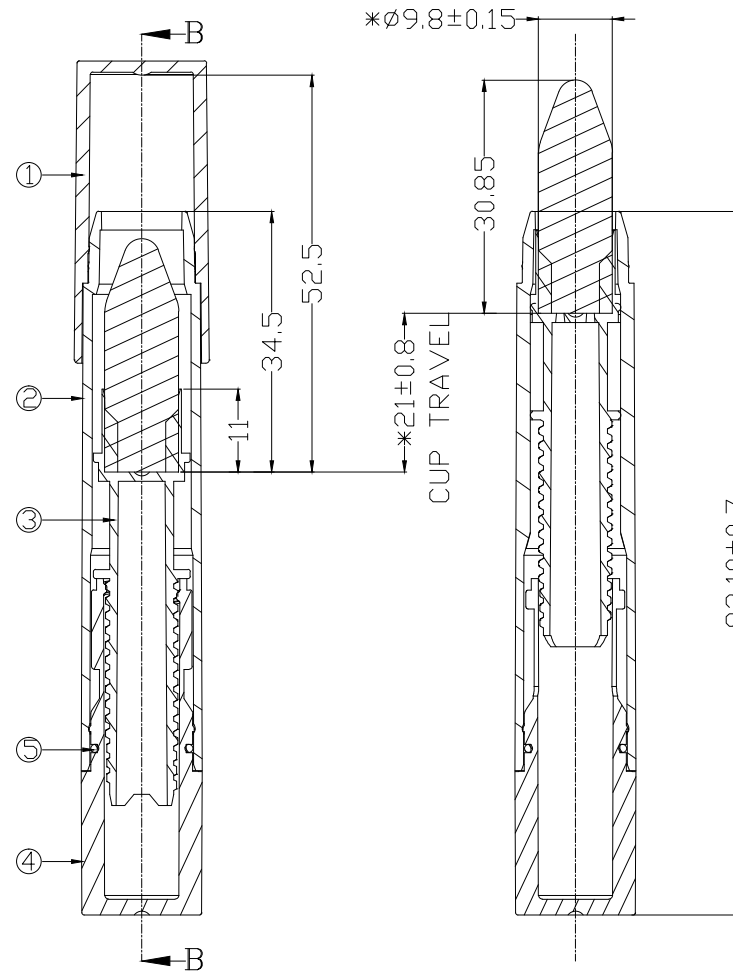
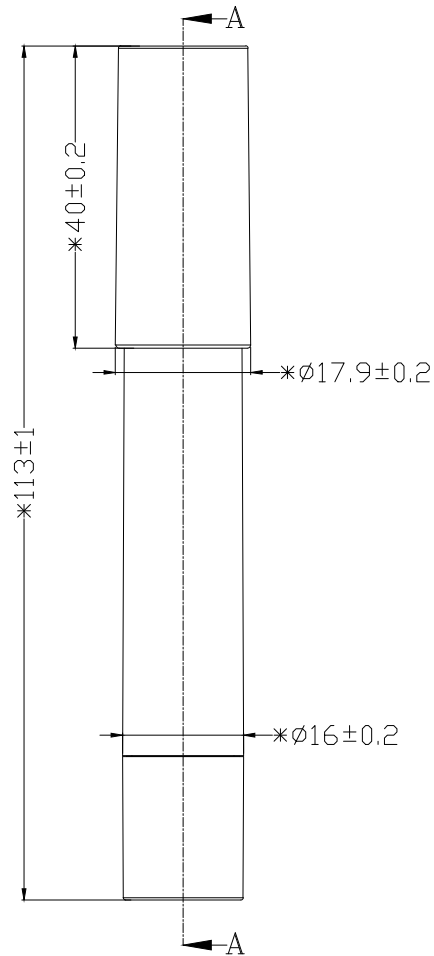
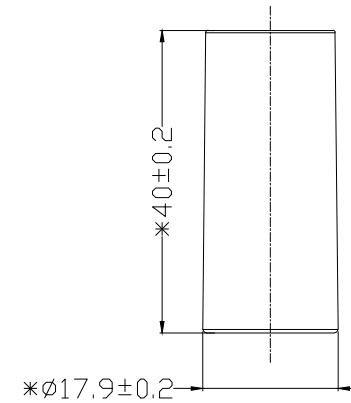


5	O-RING	---	NBR	
4	BASE	D12012	ABS	
3	SCREW	D13045	POM	
2	BODY	D16056	ABS	
1	CAP	D16055	ABS	
No.	Qty	Part name	Part code	Material



Section A-A

Section B-B



NOTE:

- 1.CAP REMOVAL FORCE:1.0~5.5kgf
- 2.BASE REMOVAL FORCE:6kgf MIN
- 3.SWIVEL UP/DOWN TORQUE:1~10N.cm
- 4.SWIVEL DOWN OVERRIDE:6N.cm MIN
- 5.CUP PUSH BACK FORCE:1.5kgf MIN

Estimated Capacity:2.0g

D4				CUSTOMER					
D3				PART					
D2				NAME	DP032-ASM	DESIGN	WANG	DATE	2018/09/20
D1				CODE	PP2020013	CHECKED		APPROVED	
NO.	REVISIONS DESCRIPTION	DRAWN	DATE	SCALE	1:1	PLATE	A4	MATERIAL	
*Dim. are adjustable based on functional requirement		TOL.	---	UNIT	mm[in.]	DRAWING NO.	D16054	REV	00