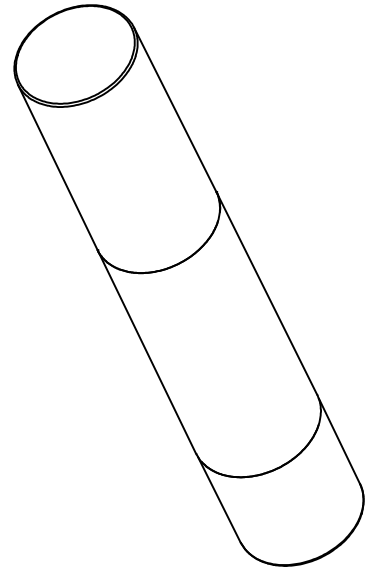
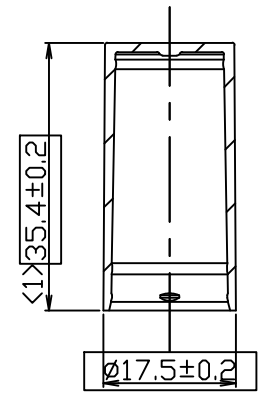
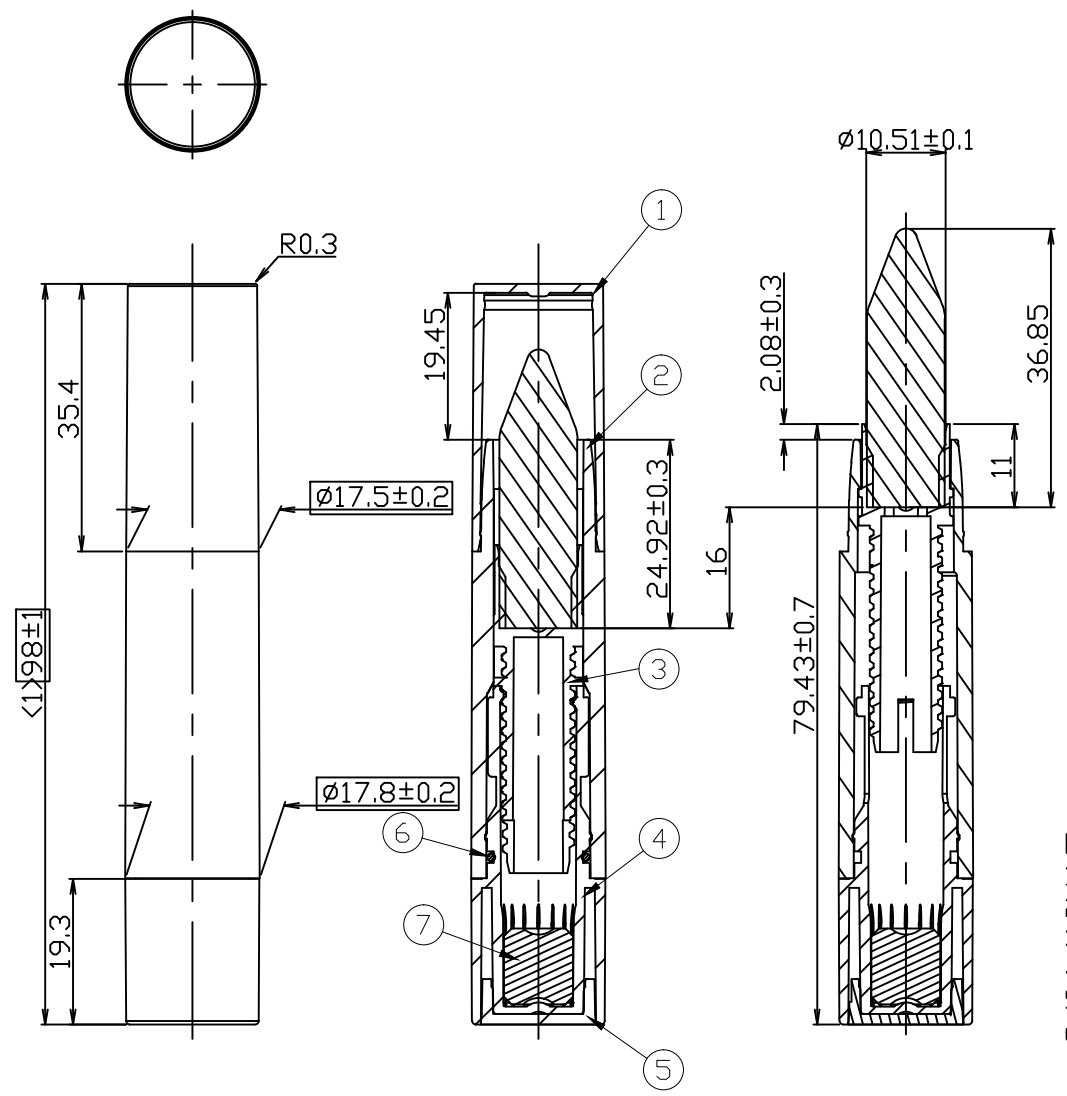
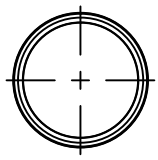

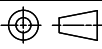


7		WEIGHT	D15028	FE
6		O-RING	----	SILICON
5		PLATE	D15024	ABS
4		BASE	D15014	ABS
3		CUP	D15017	POM
2		BODY	D15023	ABS
1		CAP	D15022	ABS
No.	Qty	Part name	Part code	Material



NOTE: REF.
 1.CAP REMOVAL FORCE:0.5~4kgf
 2.BASE REMOVAL FORCE:6kgf MIN
 3.SWIVEL UP/DOWN TORQUE:1~9N.cm
 4.SWIVEL DOWN OVERRIDE:7N.cm MIN
 5.CUP PUSH BACK FORCE:1.5kgf MIN
 6.CAPACITY:2.5ml



4				CUSTOMER						
3				PART						ASSEMBLY
2				NAME						CHUBBY
1	98.4→98, 35.8→35.4	LED	20160107	CODE	PP2020009	CHECKED		APPROVED		
NO.	REVISIONS DESCRIPTION	DRAWN	DATE	SCALE	1: 1		PLATE	A4	MATERIAL	---
*Dim. are adjustable based on functional requirement		TOL.	±0.1mm	UNIT	mm[in]	DRAWING NO.	D15021	REV	01	