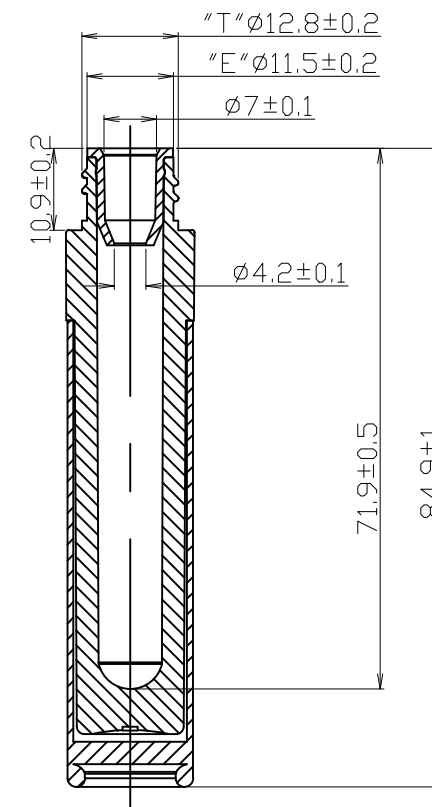
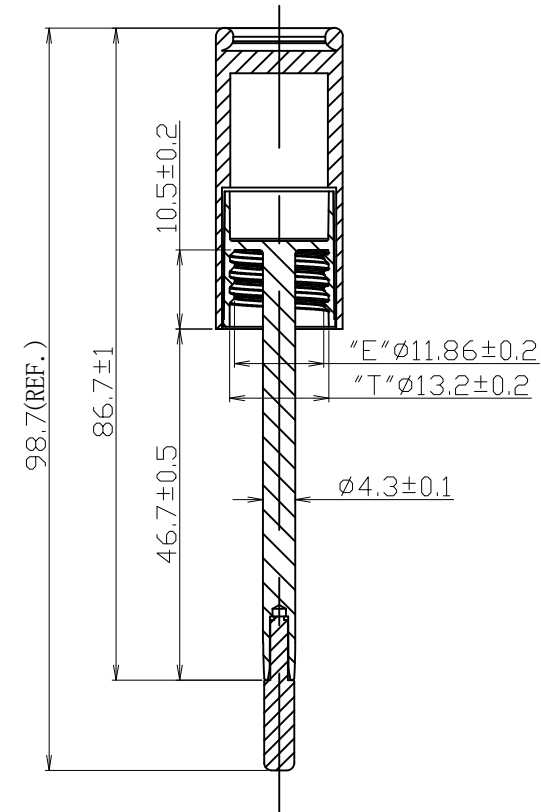
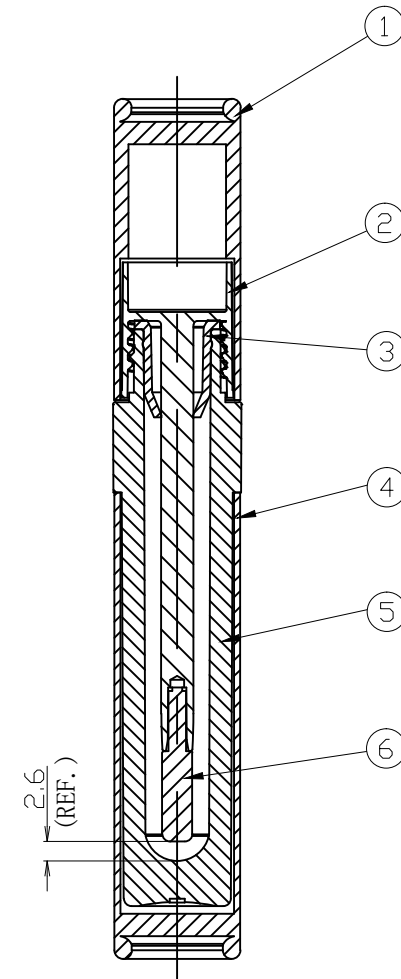
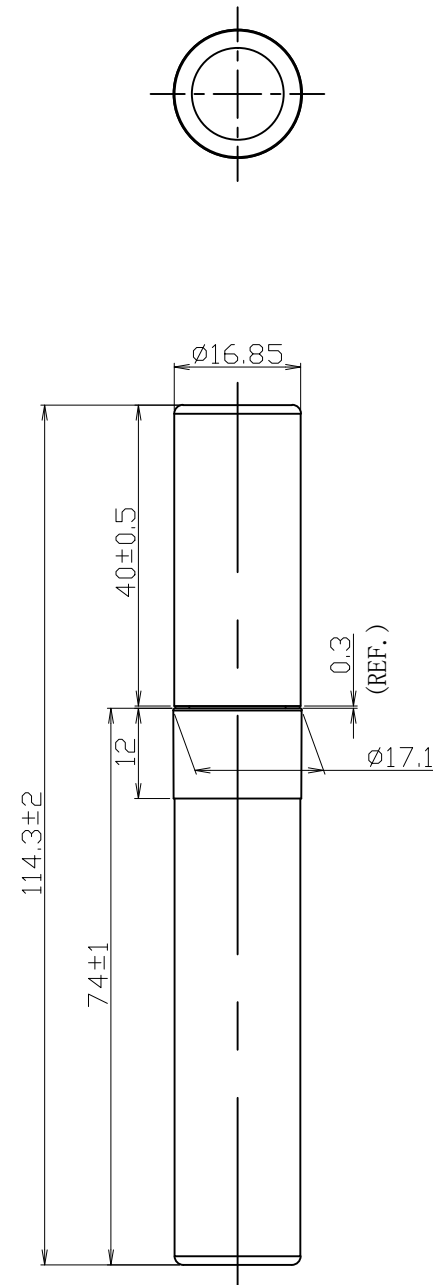



No.	NAME	Material	Drawing No.	weight
1	PAPER CAP	PAPER	D20039	---
2	ROD	PP	D20035	1.5g
3	WIPER	LDPE	D19116	0.4g
4	PAPER BOTTLE	PAPER	D20040	---
5	BOTTLE	PETG	D20041	11.2g
6	APPLICATOR	HYTREL17#-2-30	---	---



Notes:

1. TORQUE TEST(closing torque): 1.5~7.5kgf.cm
2. OPENING TORQUE FORCE: 0.5~7.0kgf.cm
3. PULL TEST (paper cap/rod): 3kgf MIN
4. PULL TEST (paper bottle/bottle): 3kgf MIN
5. PULL TEST (applicator/rod): 1kgf MIN
6. Drop test : 76cm drop onto hard surface , no parts broken
7. Airtight test(-0.05Mpa keep 5 minutes) :no leaking
8. OFC (BOTTLE): 4.0ml±0.5ml

PL2020011-paper

4				CUSTOMER					
3				PART	ASSEMBLY				
2				NAME	LIPGLOSS	DESIGN	WX	DATE	2020/4/7
1				CODE		CHECKED		APPROVED	
NO.	REVISIONS DESCRIPTION	DRAWN	DATE	SCALE	1: 1	PLATE	A3	MATERIAL	/
*Dim. are adjustable based on functional requirement		TOL.	±0.2mm	UNIT	mm[in]	DRAWING NO.	D20038	REV	00