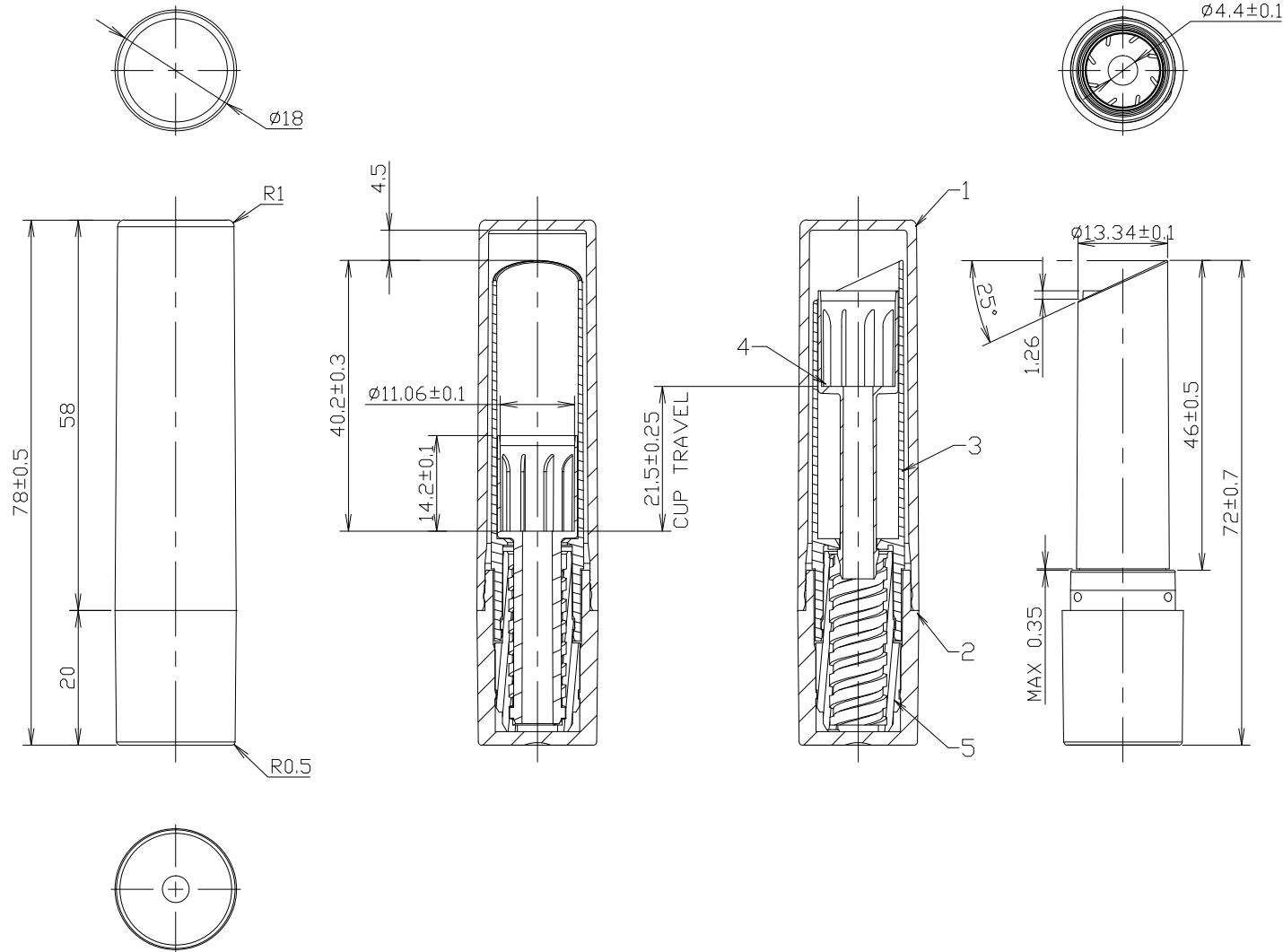

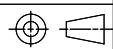


No.	NAME	Material	Drawing No.
1	CAP	ABS	DI17130
2	BASE	ABS	DI17138
3	SHELL	ABS	DI17133
4	CUP	POM	DI17122
5	CAM	ABS	DI17123



**NOTE:**

1. Separation force between cap and base 0.2 to 2.2 kgf.
2. Separate force between mechanism and base ≥ 4.5kgf.
3. Cup Pushback Force ≥ 100g
4. SWIVEL TORQUE: 30-600 gf.cm
5. Minimum by pass torque at cup full up position to be 1.0kgf.cm
6. Minimum by pass torque at cup full down position to be 2.5kgf.cm
7. CAPACITY: 3.5ml

4				CUSTOMER							
3				PART						ASSEMBLY	
2				NAME						LIPSTICK	DESIGN
1				CODE	PL2020005	CHECKED		APPROVED			
NO.	REVISIONS	DESCRIPTION	DRAWN	DATE	SCALE	1: 1		PLATE	A4	MATERIAL	—
	*Dim. are adjustable based on functional requirement		TOL.	±0.2mm	UNIT	mm [in]	DRAWING NO.	D17137	REV	00	