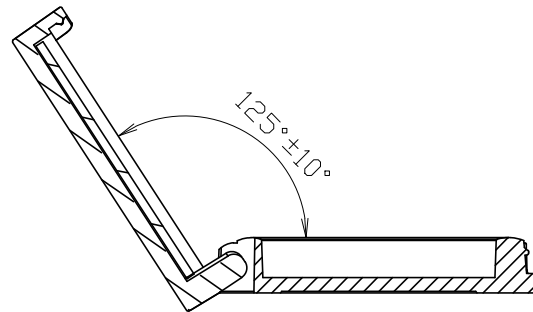
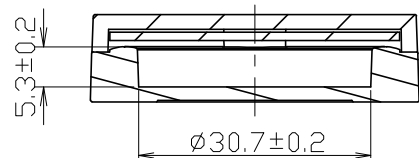
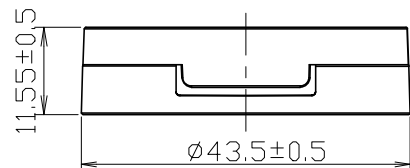
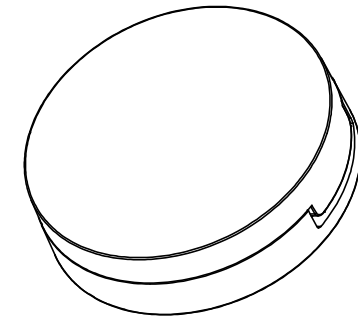
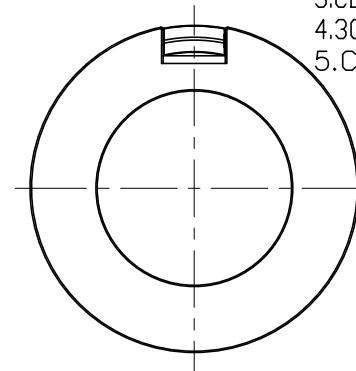
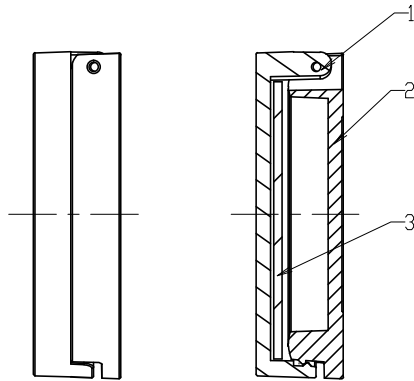
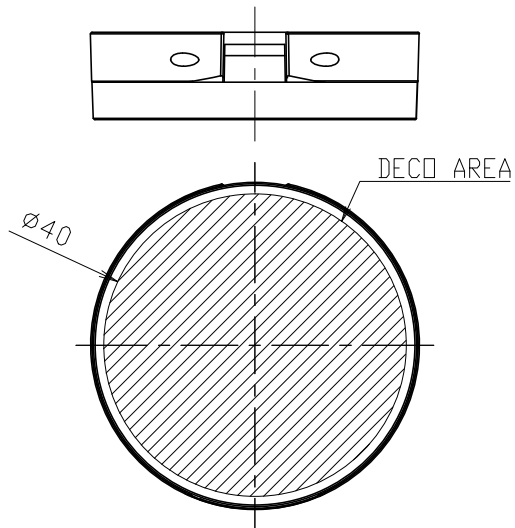



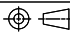
3		MIRROR	D16141	GLASS
2		BASE	D16110	ABS
1		COVER	D16140	ABS
No.	Qty	Part name	Part code	Material



NOTE:

1. OPENING FORCE RANGE: $0.15\text{kgf} \sim 1.2\text{kgf}$ <1>
2. HINGE BERAKAGE: 1.8kgf min
3. COVER MUST HOLD POSITION AT ANY ANGLE
4. 30° DROP REQUIREMENT: NO BREAKAGE
5. CAPACITY: 2.4ML <AL PAN>

PC2020013

D4				CUSTOMER					
D3				PART	ASSEMBLY				
D2				NAME		DESIGN	BERNIE	DATE	20161121
D1	change opening force range	BERNIE	20170205	CODE	DC007F	CHECKED		APPROVED	
NO.	REVISIONS DESCRIPTION	DRAWN	DATE	SCALE	1:1		PLATE	A4	MATERIAL
*Dim. are adjustable based on functional requirement		TOL.	---	UNIT	mm[in]	DRAWING NO.	D16139	REV	01