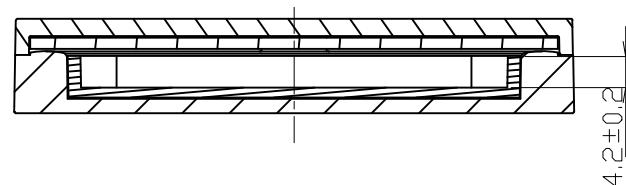
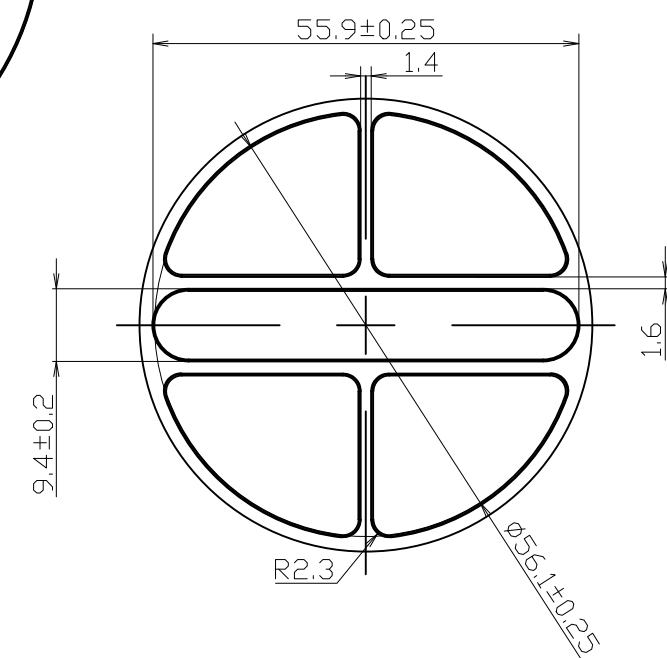
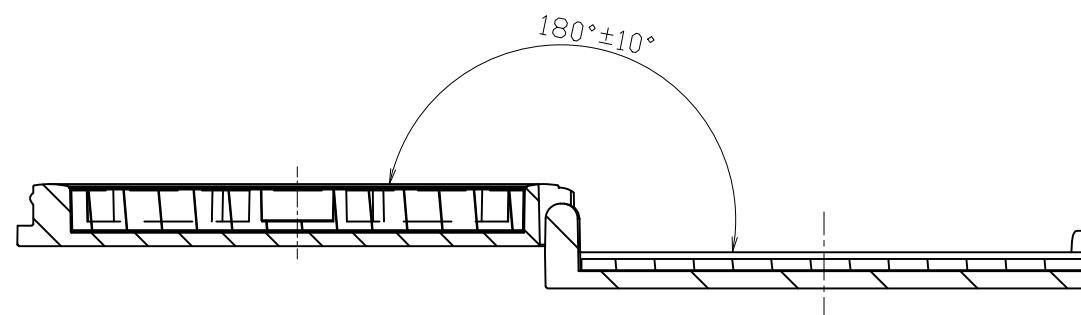
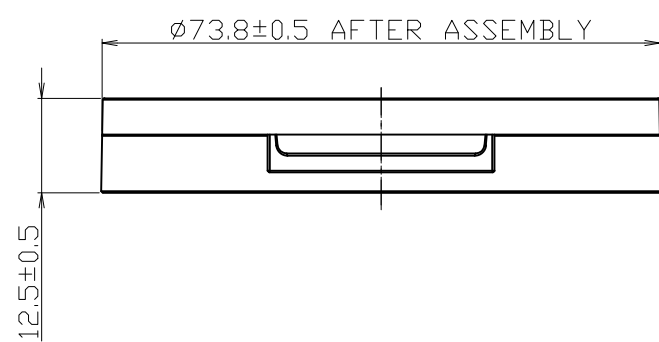
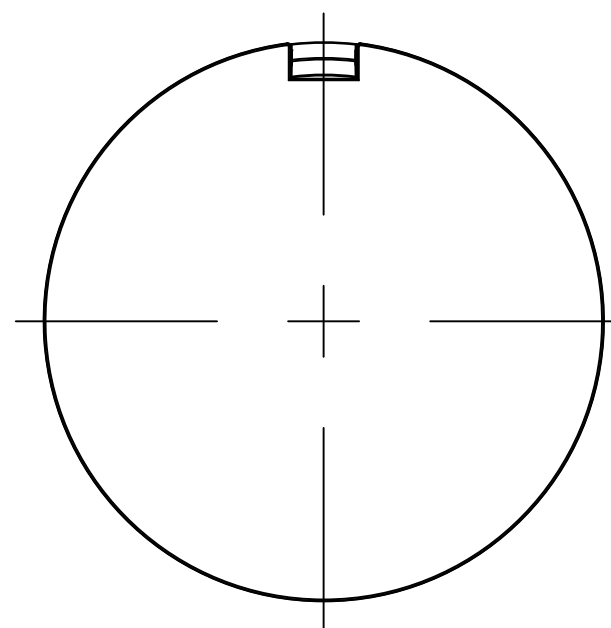
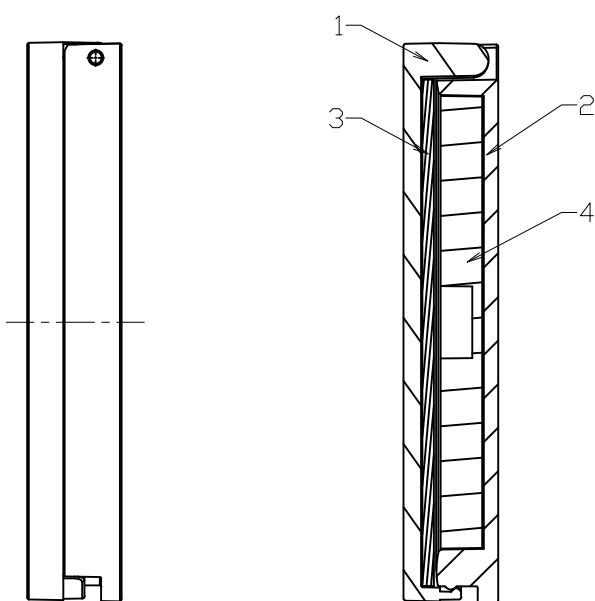
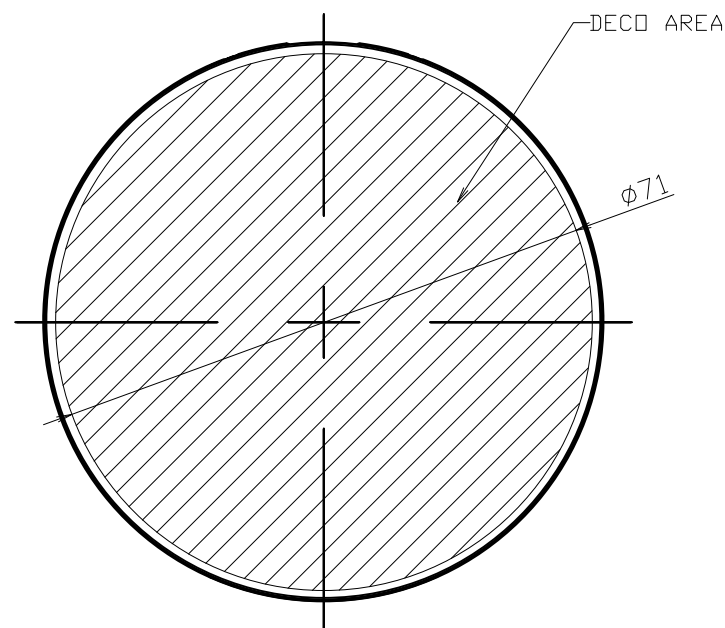
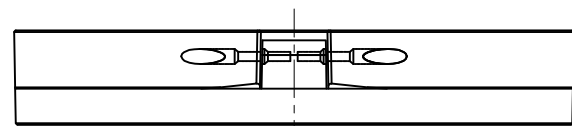


4	1	INSERT	---	ABS
3	1	MIRROR	---	GLASS
2	1	BASE	---	ABS
1	1	COVER	---	ABS
No. Qty		Part name	Drawing No.	Material



NOTE:  
 1. OPENING FORCE RANGE: 0.2kgf~1.2kgf  
 2. HINGE BREAKAGE: 1.8kgf min  
 3. 30° DROP REQUIREMENT: NO BREAKAGE

**TOLERANCE**

0-6 : ±0.1  
 6-30 : ±0.2  
 30-120 : ±0.3  
 120-315 : ±0.5  
 Angle: ±0.5°  
 sharp  
 edges: R0.2mox

4				CUSTOMER					
3				PART	ASSEMBLY (FLAT COVER)				
2				NAME	EYESHADOW COMPACT-59.9mm	DESIGN	Leo	DATE	2013/8/16
1				CODE	PC2020010	CHECKED		APPROVED	
NO.	REVISIONS DESCRIPTION	DRAWN	DATE	SCALE	1:1	PLATE	A3	MATERIAL	---
*Dim. are adjustable based on functional requirement		TOL.	---	UNIT	mm [in]	DRAWING NO.	D13082	REV	00