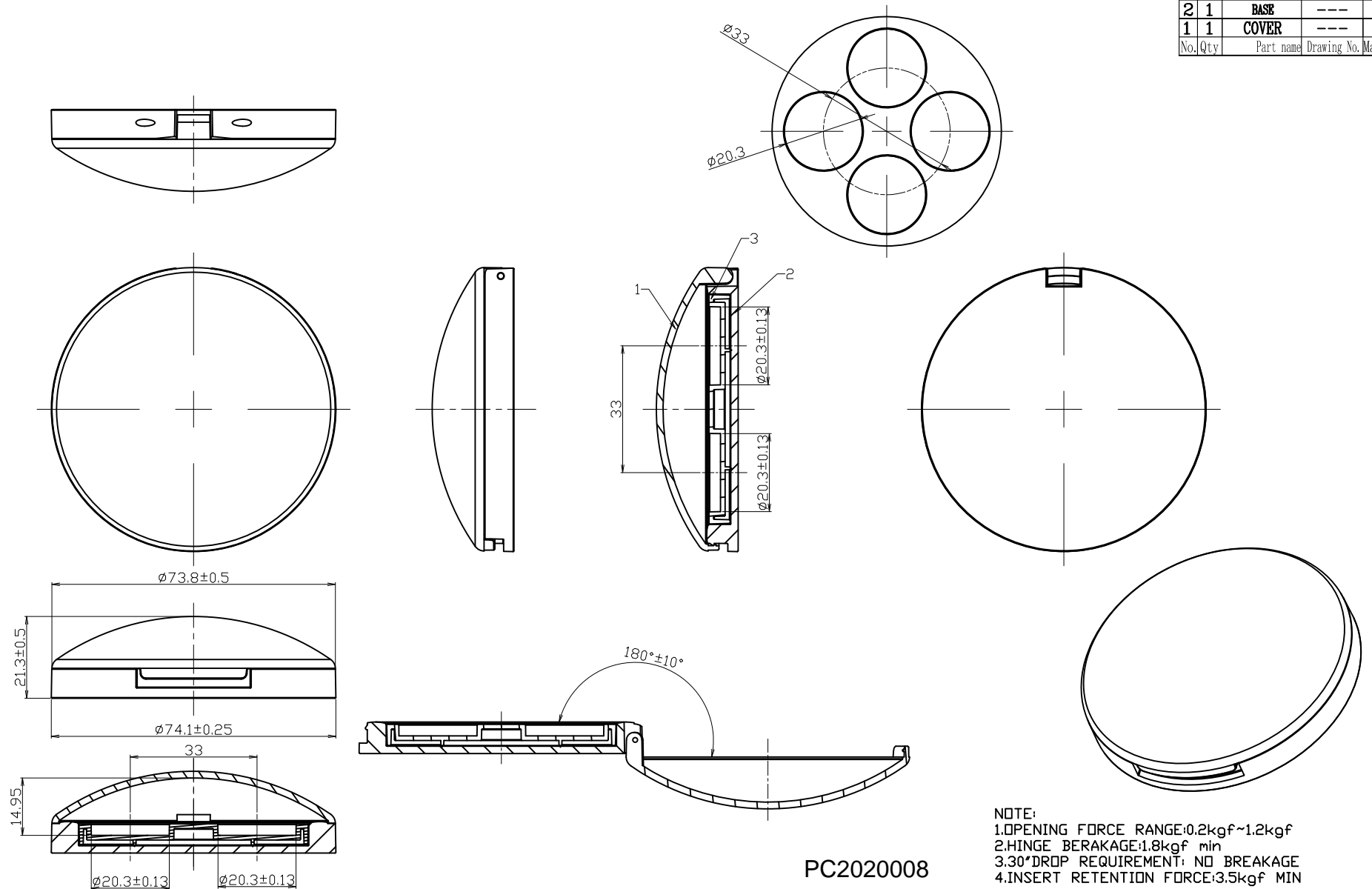


| | | | | |
|-----|-----|-----------|-------------|----------|
| 3 | 1 | INSERT | --- | ABS |
| 2 | 1 | BASE | --- | ABS |
| 1 | 1 | COVER | --- | SAN |
| No. | Qty | Part name | Drawing No. | Material |



PC2020008

TOLERANCE
 0-6 :±0.1
 6-30 :±0.2
 30-120 :±0.3
 120-315 :±0.5
 Angle: ±0.5°
 sharp
 edges: R0.2mox

NOTE:
 1.OPENING FORCE RANGE:0.2kgf~1.2kgf
 2.HINGE BERAKAGE:1.8kgf min
 3.30°DROP REQUIREMENT: NO BREAKAGE
 4.INSERT RETENTION FORCE:3.5kgf MIN

| | | | | | | | | | |
|--|-----------------------|-------|------|----------|-----------------------|-------------|-----|----------|-----------|
| 4 | | | | CUSTOMER | | | | | |
| 3 | | | | PART | ASSEMBLY (DOME COVER) | | | | |
| 2 | | | | NAME | ROUND COMPACT | DESIGN | Leo | DATE | 2014/7/29 |
| 1 | | | | CODE | | CHECKED | | APPROVED | |
| NO. | REVISIONS DESCRIPTION | DRAWN | DATE | SCALE | 1: 1 | PLATE | A3 | MATERIAL | --- |
| *Dim. are adjustable based on functional requirement | | TOL. | --- | UNIT | mm [in] | DRAWING NO. | --- | REV | 00 |