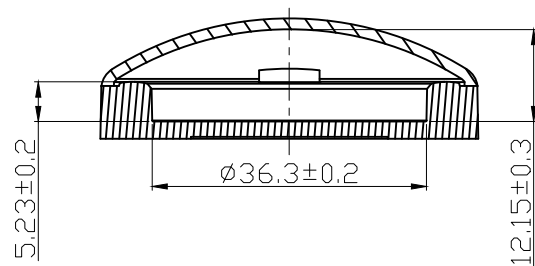
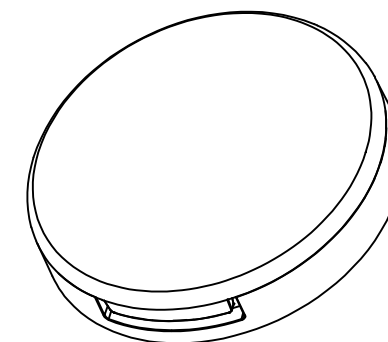
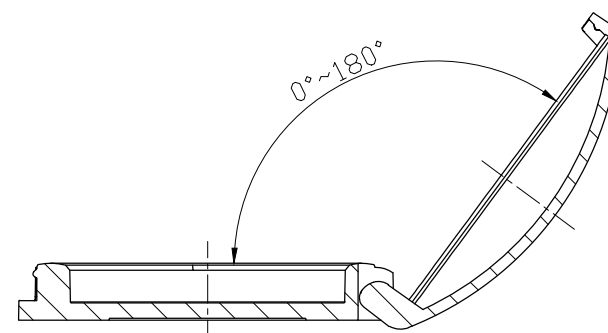
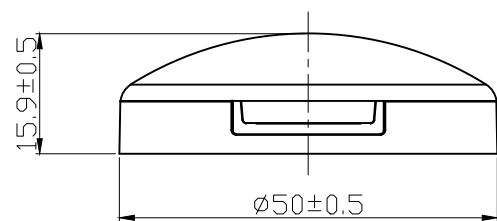
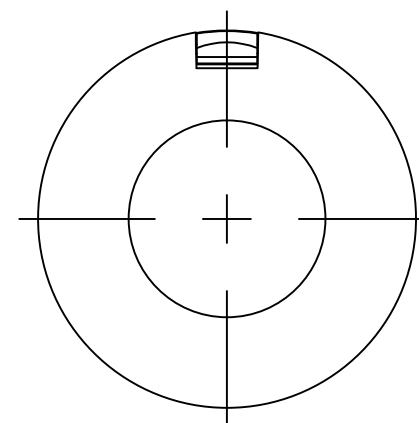
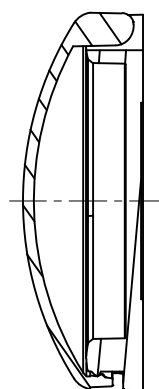
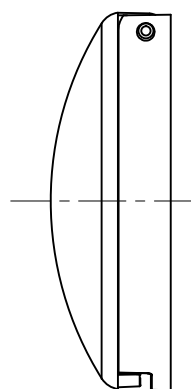
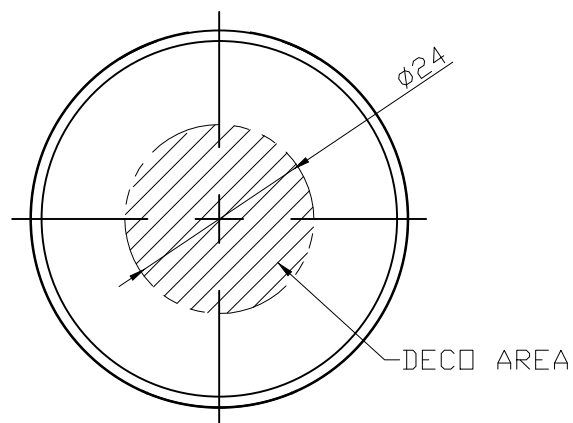
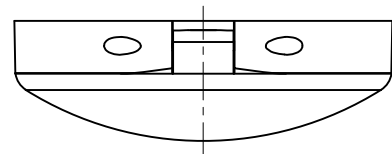



2	1	BASE	---	ABS
1	1	COVER	---	SAN
No.	Qty	Part name	Drawing No.	Material

NOTE:
 1.OPENING FORCE RANGE:0.2kgf~1.2kgf
 2.HINGE BERAKAGE:1.8kgf min
 3.30°DROP REQUIREMENT: NO BREAKAGE



TOLERANCE

0-6 : ± 0.1
 6-30 : ± 0.2
 30-120 : ± 0.3
 120-315 : ± 0.5
 Angle: $\pm 0.5^\circ$
 sharp
 edges: R0.2mox

4				CUSTOMER					
3				PART	ASSEMBLY (DOME COVER)				
2				NAME	ROUND COMPACT-36.3mm	DESIGN	Leo	DATE	2012/12/24
1				CODE	PC2020004	CHECKED		APPROVED	
NO.	REVISIONS DESCRIPTION	DRAWN	DATE	SCALE	1:1	PLATE	A3	MATERIAL	---
*Dim. are adjustable based on functional requirement		TOL.	---	UNIT	mm [in]	DRAWING NO.	---	REV	00