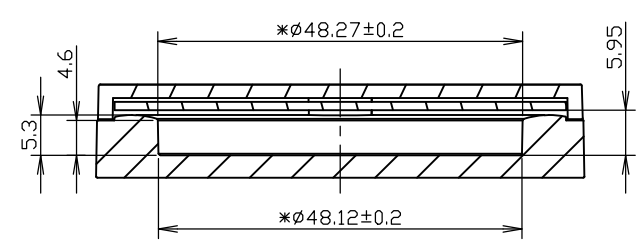
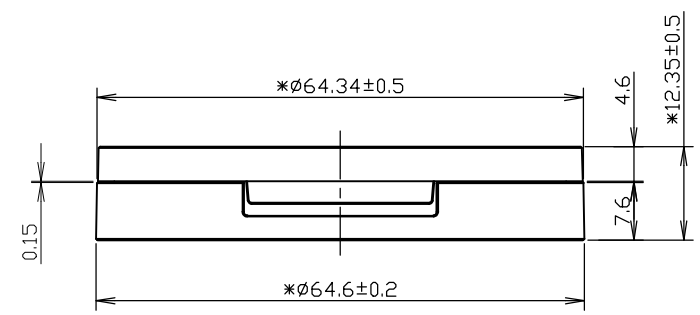
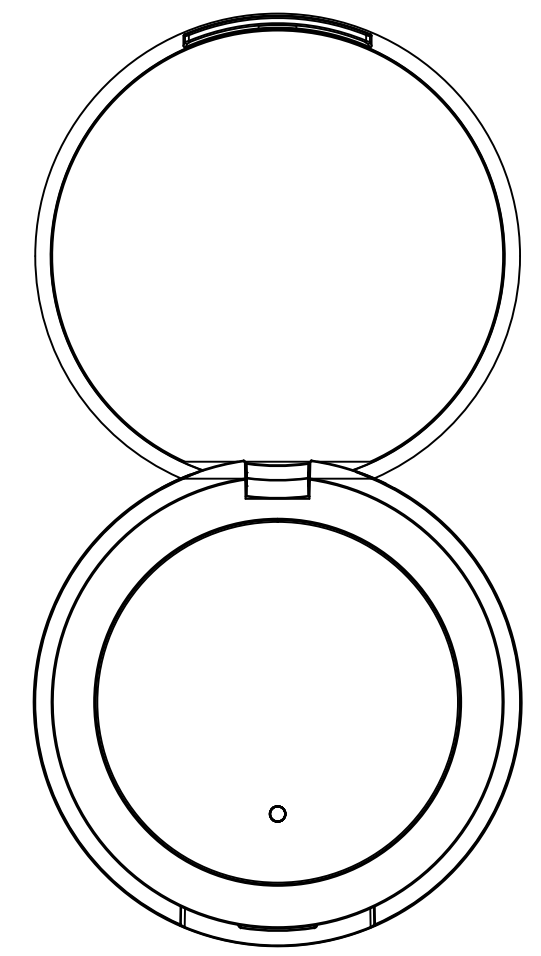
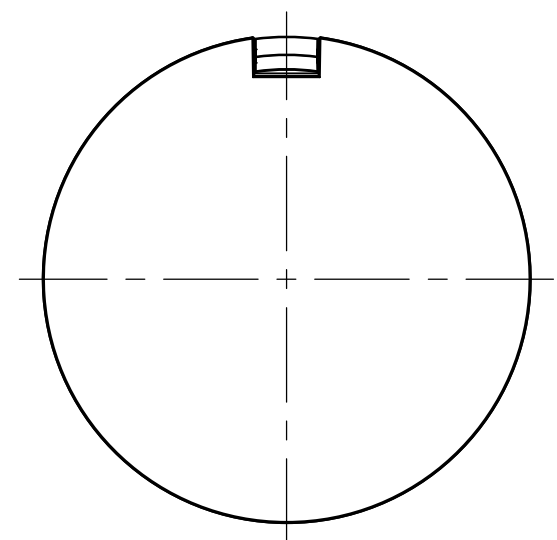
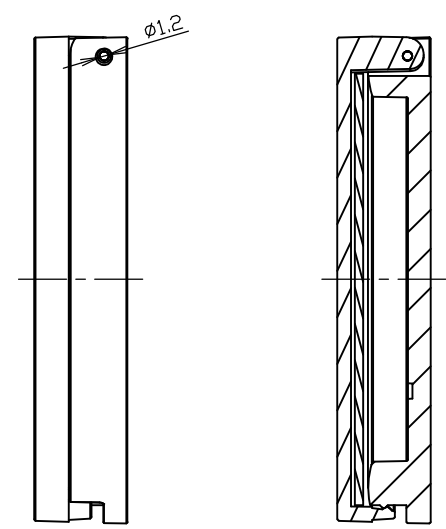
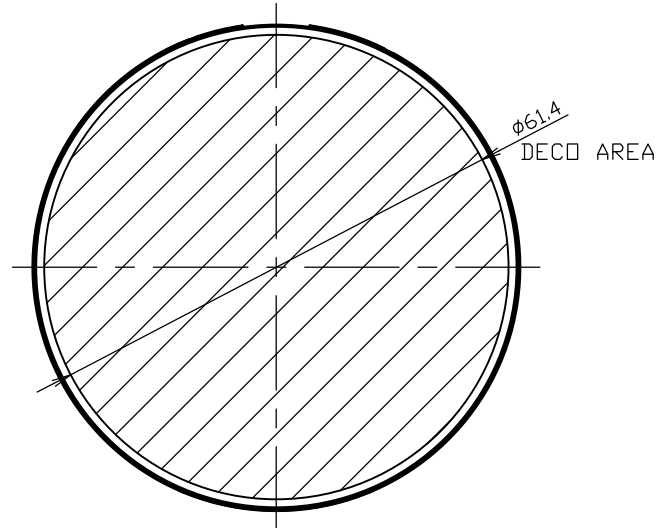
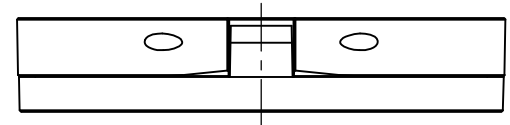


No.	NAME	Material	Drawing No.
1	COVER	ABS	D17135
2	BASE	ABS	D17174
3	MIRROR	GLASS	D17136

NOTE:
 1.OPENING FORCE RANGE:0.2kgf~1kgf REF.
 2.HINGE BERAKAGE:1.8kgf MIN
 3.75cm DROP REQUIREMENT ONE TIME: NO BREAKAGE
 4.MIRROR RETENTION FORCE:3kgf MIN
 5.OPENING ANGLE:0°~180°
 6.CAPACITY:5.6ML(AL PAN)



4				CUSTOMER					
3				PART	ASSEMBLY				
2				NAME	COMPACT	DESIGN	SYH	DATE	2017/12/7
1				CODE	PC2020002	CHECKED		APPROVED	
NO.	REVISIONS DESCRIPTION	DRAWN	DATE	SCALE	1:1	PLATE	A3	MATERIAL	---
	*Dim. are adjustable based on functional requirement	TOL.	±0.1mm	UNIT	mm[in]	DRAWING NO.	D17134	REV	00