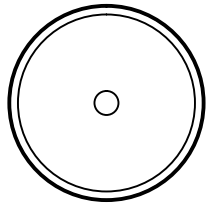
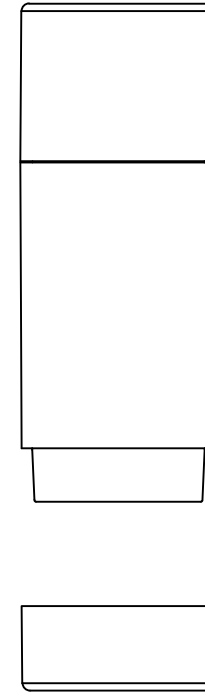
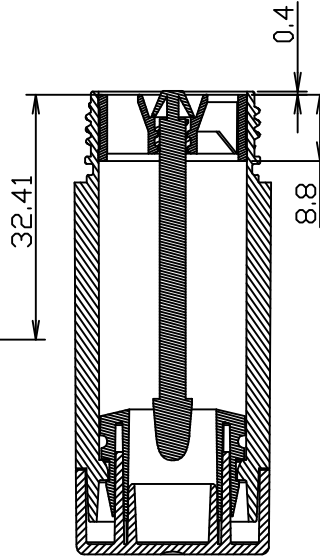
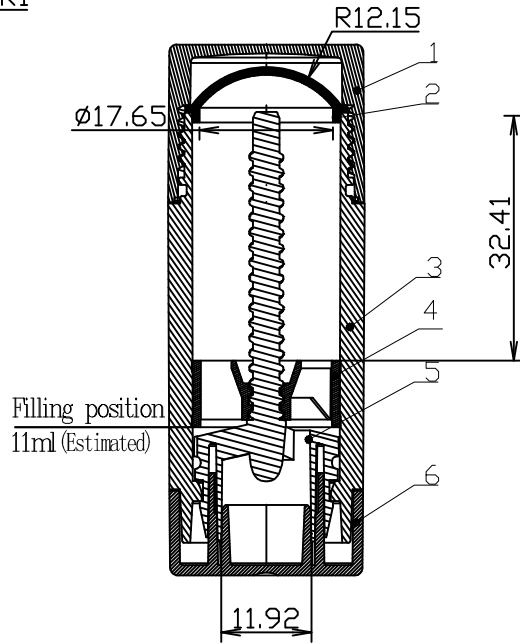
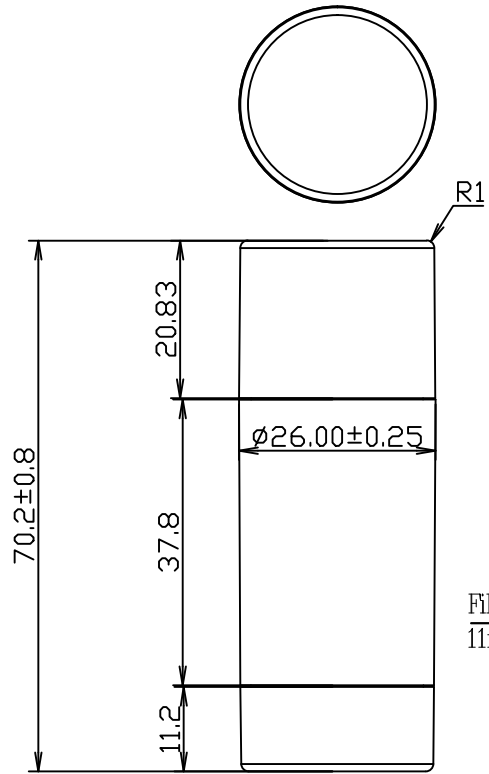


Nr.	ITEM NAME	MATERIAL	GRADE Nr.	MAKER

No.	NAME	Material
1	OUT CAP	AS
2	DISC	PP
3	BODY	AS
4	CUP	PP
5	SPIRAL	PP
6	BASE	AS



Filling capacity: 11±1ml

PP2020004

3					
2					
1					
Revisions		Description		Date	Approved
Drawn	NAME: STICK	DATE: 2020/7/29	Useful Capacity ± ml	MATERIAL: ---	MANUFACTURER CODE: ---
Checked	---	dd/mm/aa	Overflow Capacity ± ml	CLIENT: ---	
Approved	-	dd/mm/aa	Weight ± grs		
PROJECT NUMBER		DESCRIPTION		DWG. NR.	
000				REF	
The copyright of this drawing is owned by the Group. Its contents shall not be reproduced nor disclosed to a third party without written permission.				SCALE: 1/1	
				SHEET 1 OF 1	