

Mark	Modifications	Modifier	Date



$0 \geq 10 - \pm 0.15$
 $10 \geq 40 - \pm 0.20$
 $40 \geq 90 - \pm 0.3$
 $90 \geq 200 - \pm 0.5$
 Angular-- $\pm 0.5^\circ$

MAT' L:

SCALE:

PROG:

PRODUCT:

DRW. NO:

PART WEIGHT:

DATE: 2009/11/12

PAGE:

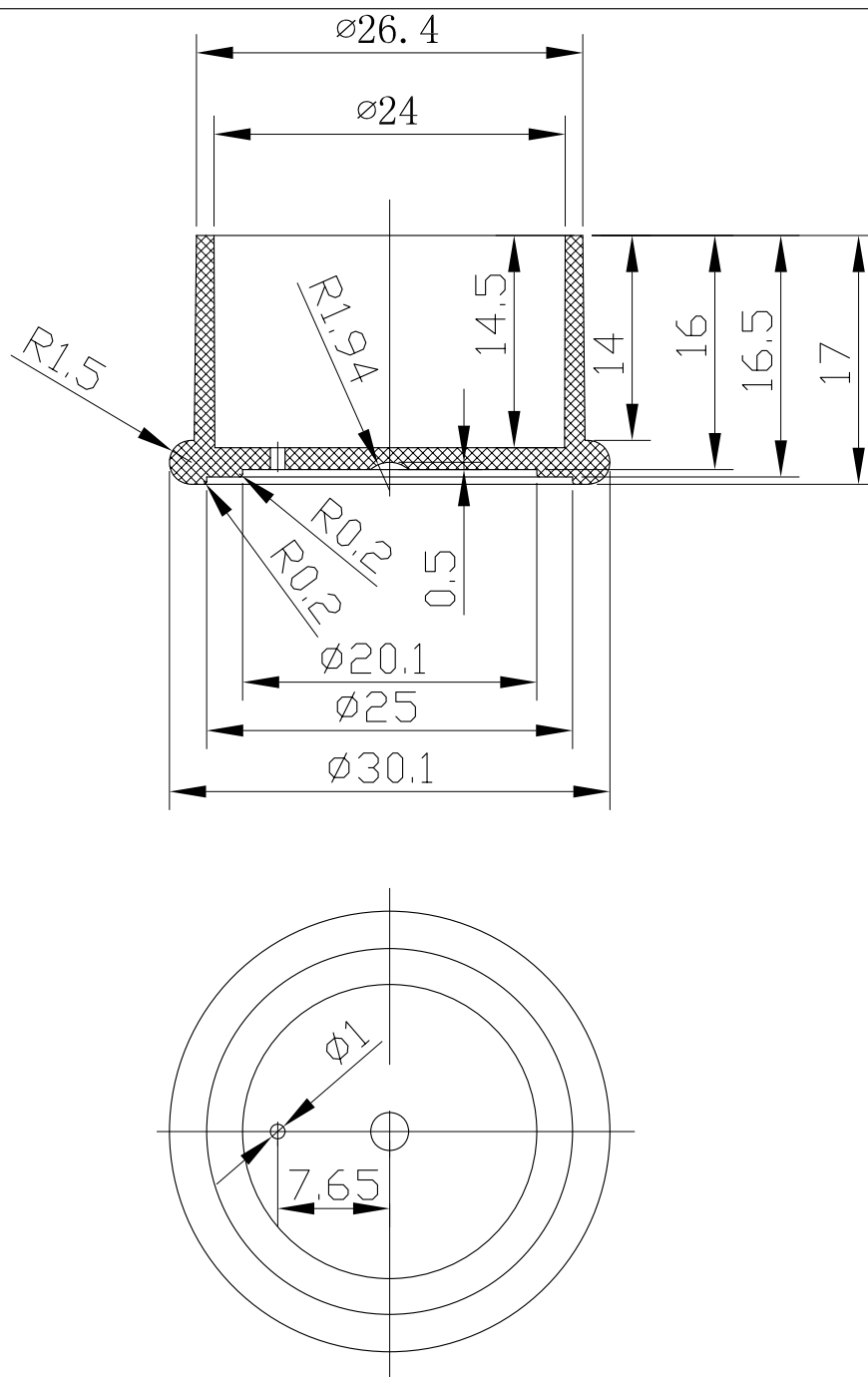
35ml Vacuum bottle
-Assembly

PA2020023-35ml

DESIGNER: Eric

CHECKED BY:

APPROVED BY:



Mark	Modifications	Modifier	Date



$0 \geq 10 - \pm 0.15$
 $10 \geq 40 - \pm 0.20$
 $40 \geq 90 - \pm 0.3$
 $90 \geq 200 - \pm 0.5$
 Angular-- $\pm 0.5^\circ$

MAT' L: **ABS**

SCALE:

PROG:

PRODUCT:

DRW. NO:

PART WEIGHT:

DATE: 2009/11/12

PAGE:

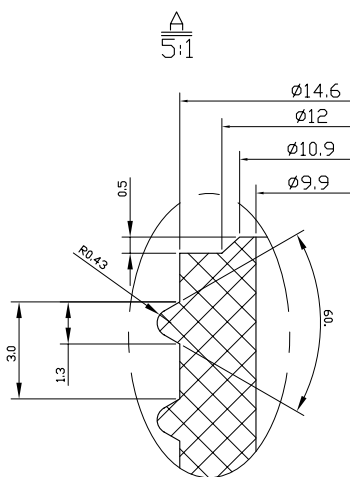
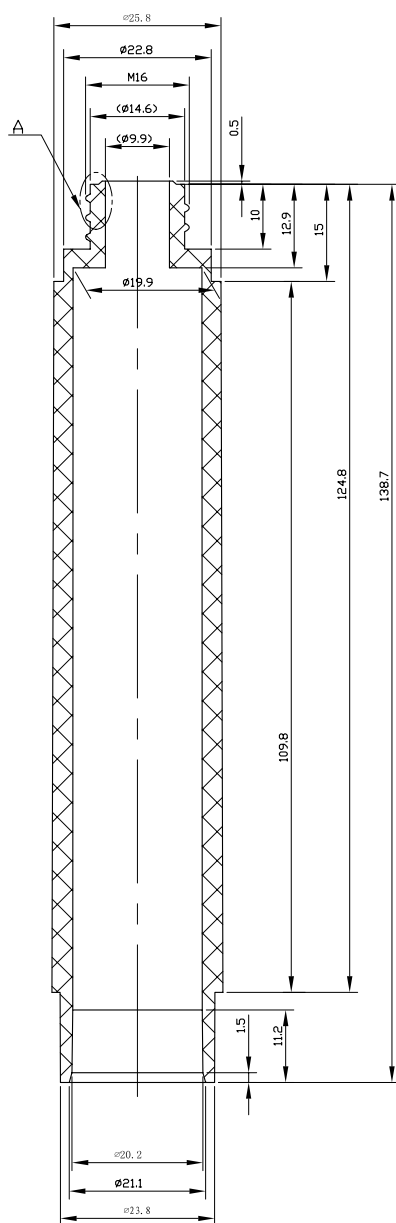
35ml Vacuum bottle
-base

PA2020023-35ml

DESIGNER: Eric

CHECKED BY:

APPROVED BY:



Data:
 single thread
P=3.0
 right-hand thread

Mark	Modifications	Modifier	Date



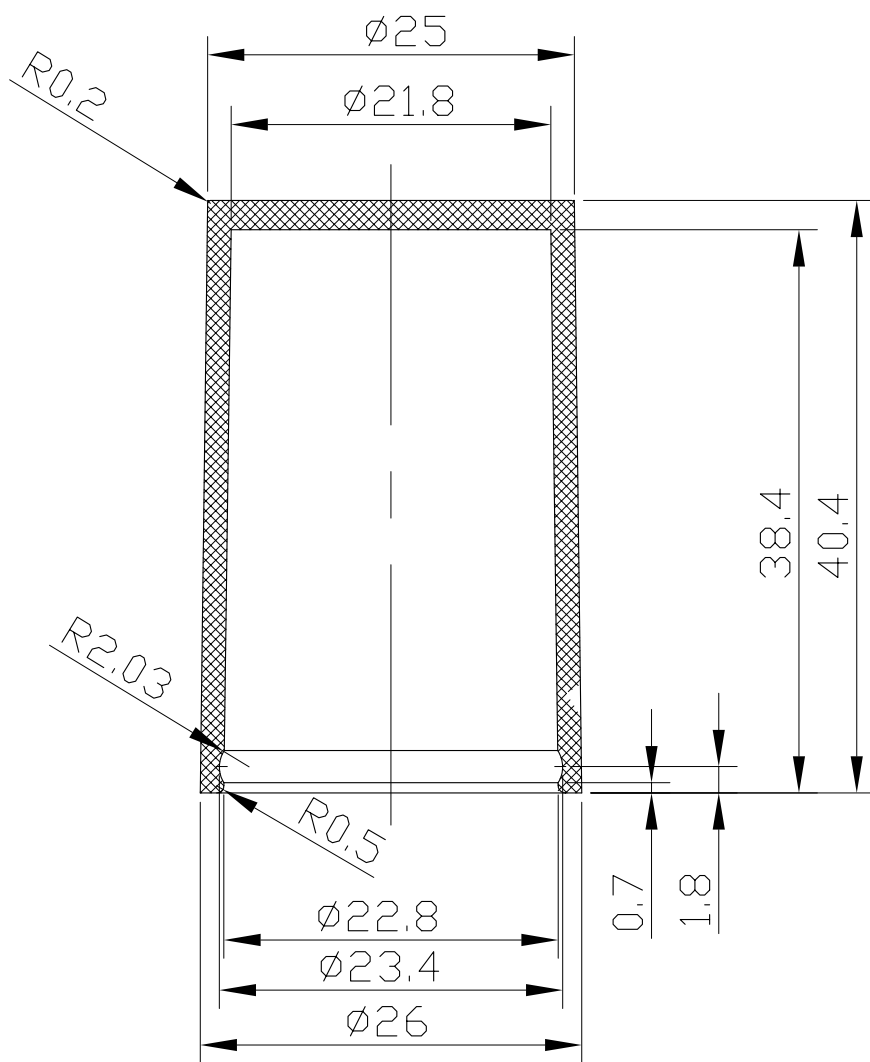
0 ≥ 10 -- ± 0.15
 10 ≥ 40 -- ± 0.20
 40 ≥ 90 -- ± 0.3
 90 ≥ 200 -- ± 0.5
 Angular -- ± 0.5°

MAT' L: **AS**

SCALE:

PROG:

PRODUCT: 35ml Vacuum bottle
 -bottle
 DRW. NO: PA2020023-35ml
 PART WEIGHT: DESIGNER: Eric
 DATE: 2009/11/12 CHECKED BY:
 PAGE: APPROVED BY:



Mark	Modifications	Modifier	Date



$0 \geq 10 \rightarrow \pm 0.15$
 $10 \geq 40 \rightarrow \pm 0.20$
 $40 \geq 90 \rightarrow \pm 0.3$
 $90 \geq 200 \rightarrow \pm 0.5$
 Angular $\rightarrow \pm 0.5^\circ$

MAT' L: **AS**

SCALE:

PROG:

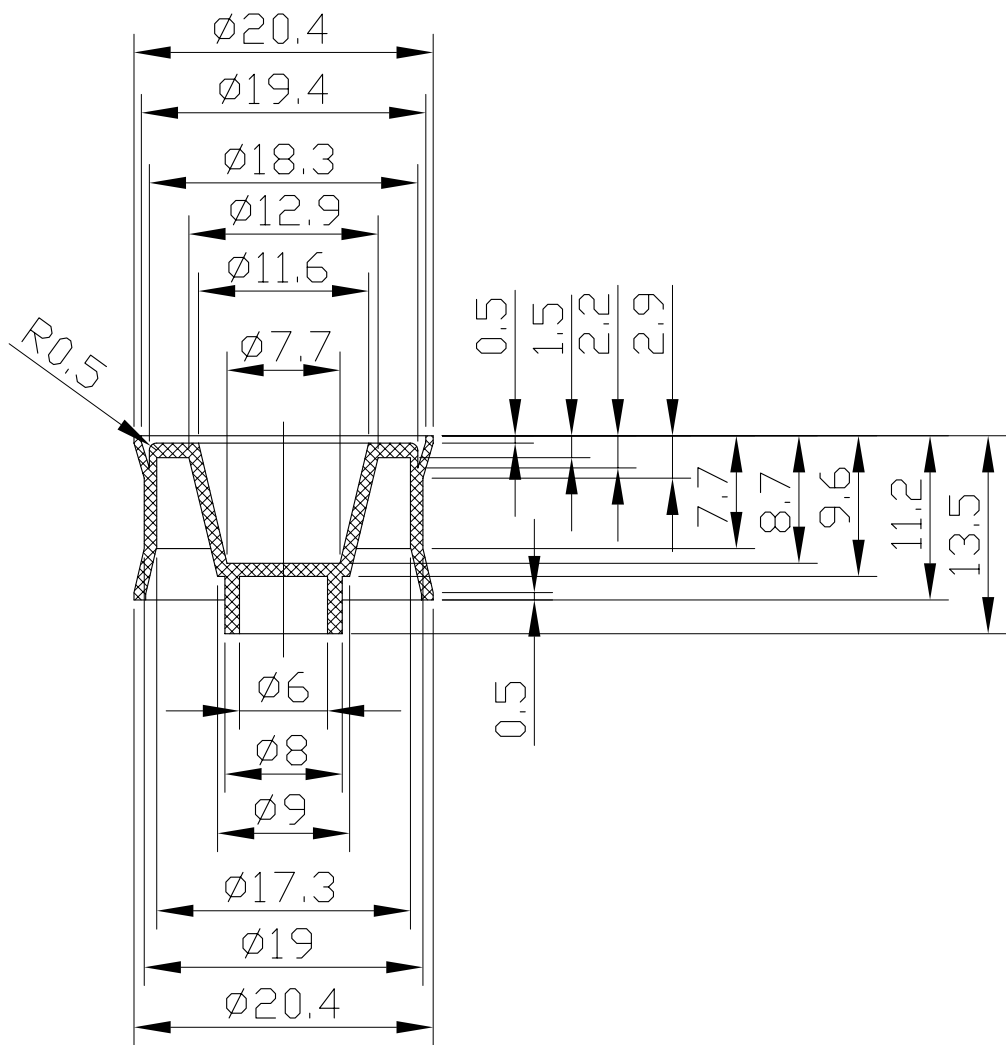
PRODUCT: 35ml Vacuum bottle
-cap

DRW. NO: PA2020023-35ml

PART WEIGHT: DESIGNER: Eric

DATE: 2009/11/12 CHECKED BY:

PAGE: APPROVED BY:



Mark	Modifications	Modifier	Date



0 \geq 10 \pm 0.15
 10 \geq 40 \pm 0.20
 40 \geq 90 \pm 0.3
 90 \geq 200 \pm 0.5
 Angular \pm 0.5°

MAT' L: **PE**

SCALE:

PROG:

PRODUCT:

35ml Vacuum bottle
-piston

DRW. NO:

PA2020023-35ml

PART WEIGHT:

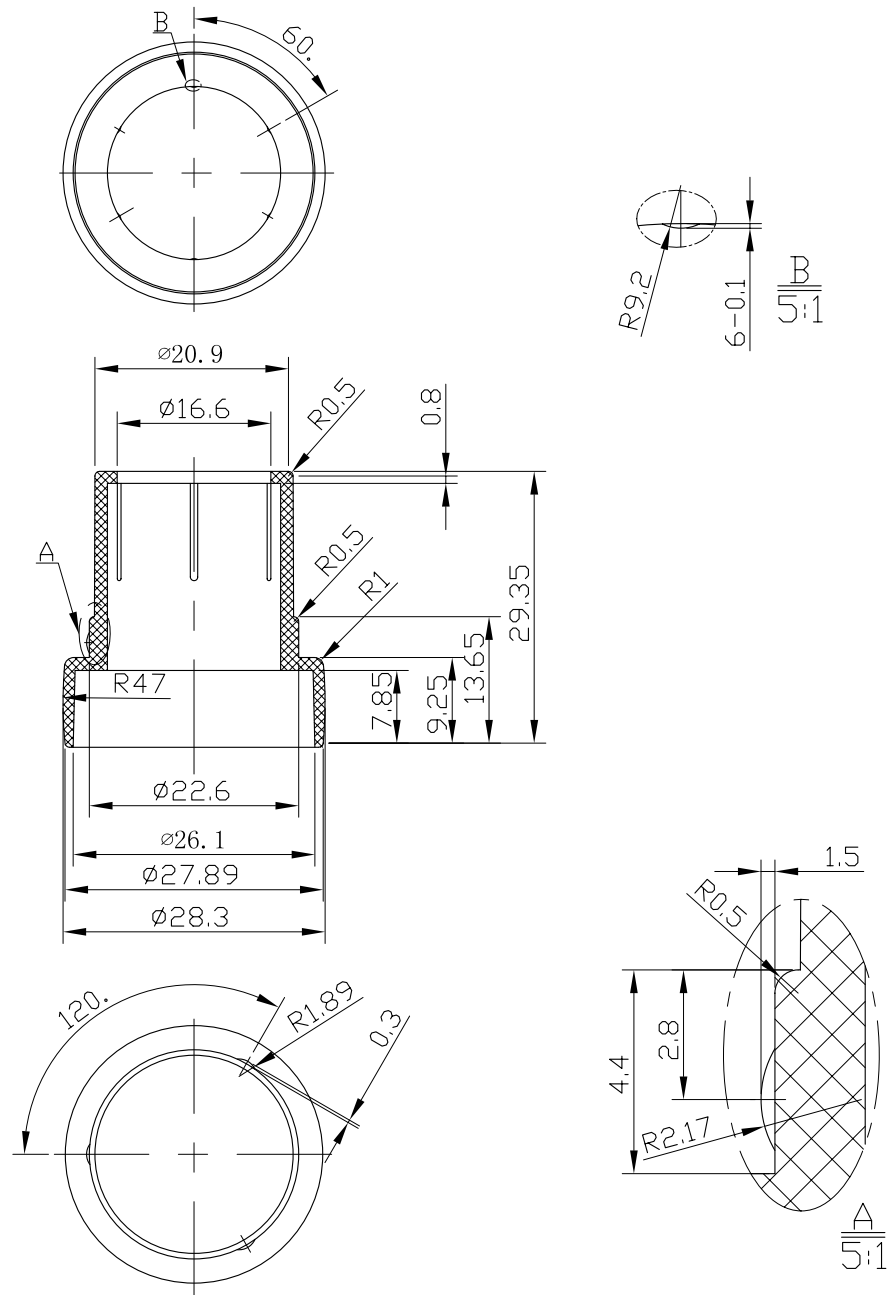
DESIGNER: Eric

DATE: 2009/11/12

CHECKED BY:

PAGE:

APPROVED BY:



Mark	Modifications	Modifier	Date



$0 \geq 10 - \pm 0.15$
 $10 \geq 40 - \pm 0.20$
 $40 \geq 90 - \pm 0.3$
 $90 \geq 200 - \pm 0.5$
 Angular $- \pm 0.5^\circ$

MAT' L: **ABS**

SCALE:

PROG:

PRODUCT:

35ml Vacuum bottle
-shoulder

DRW. NO:

PA2020023-35ml

PART WEIGHT:

DESIGNER: Eric

DATE: 2009/11/12

CHECKED BY:

PAGE:

APPROVED BY: