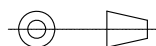


Mark	Modifications	Modifier	Date

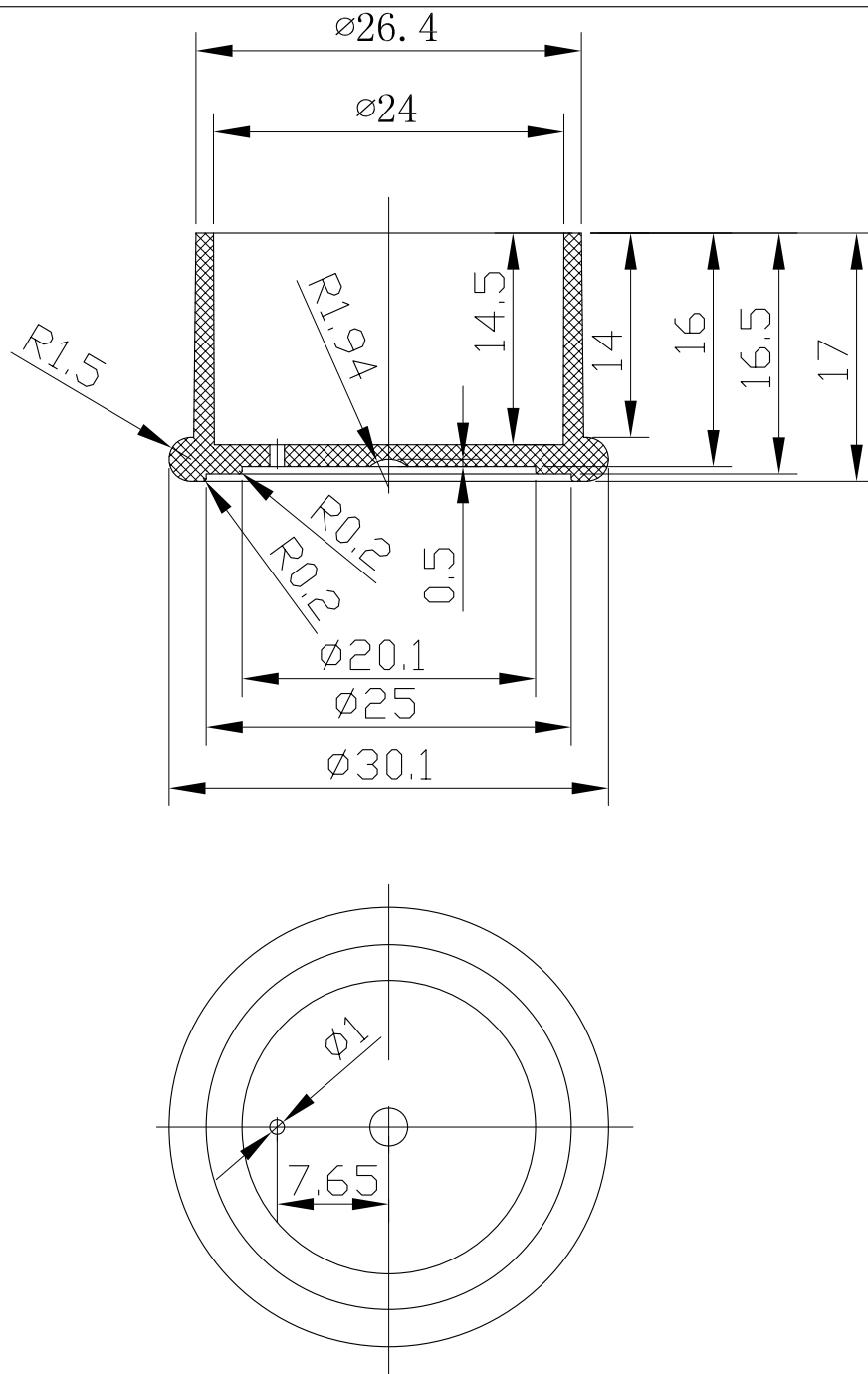


$0 \geq 10 - \pm 0.15$
 $10 \geq 40 - \pm 0.20$
 $40 \geq 90 - \pm 0.3$
 $90 \geq 200 - \pm 0.5$
 Angular-- $\pm 0.5^\circ$

MAT' L:
 SCALE:
 PROG:



PRODUCT: 30ml Vacuum bottle
 -Assembly
 DRW. NO: PA2020022-30ml
 PART WEIGHT: DESIGNER: Eric
 DATE: 2009/11/12 CHECKED BY:
 PAGE: APPROVED BY:



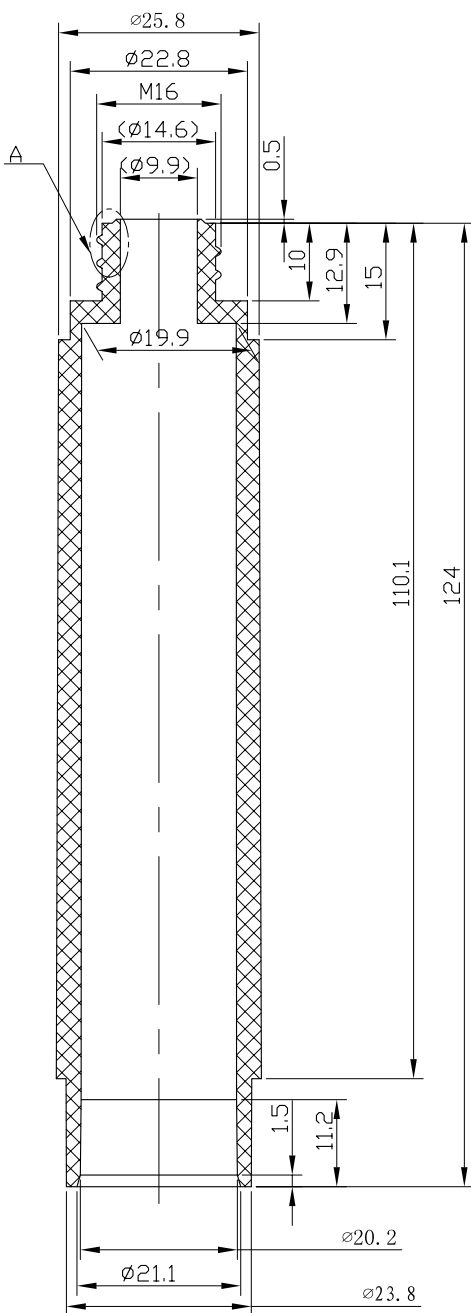
Mark	Modifications	Modifier	Date



$0 \geq 10 \rightarrow \pm 0.15$
 $10 \geq 40 \rightarrow \pm 0.20$
 $40 \geq 90 \rightarrow \pm 0.3$
 $90 \geq 200 \rightarrow \pm 0.5$
 Angular $\rightarrow \pm 0.5^\circ$

MAT' L: **ABS**
 SCALE:
 PROG:

PRODUCT: 30ml Vacuum bottle
 -base
 DRW. NO: PA2020022-30ml
 PART WEIGHT: DESIGNER: Eric
 DATE: 2009/11/12 CHECKED BY:
 PAGE: APPROVED BY:



Data:
 single thread
 P=3.0
 right-hand thread

Mark	Modifications	Modifier	Date



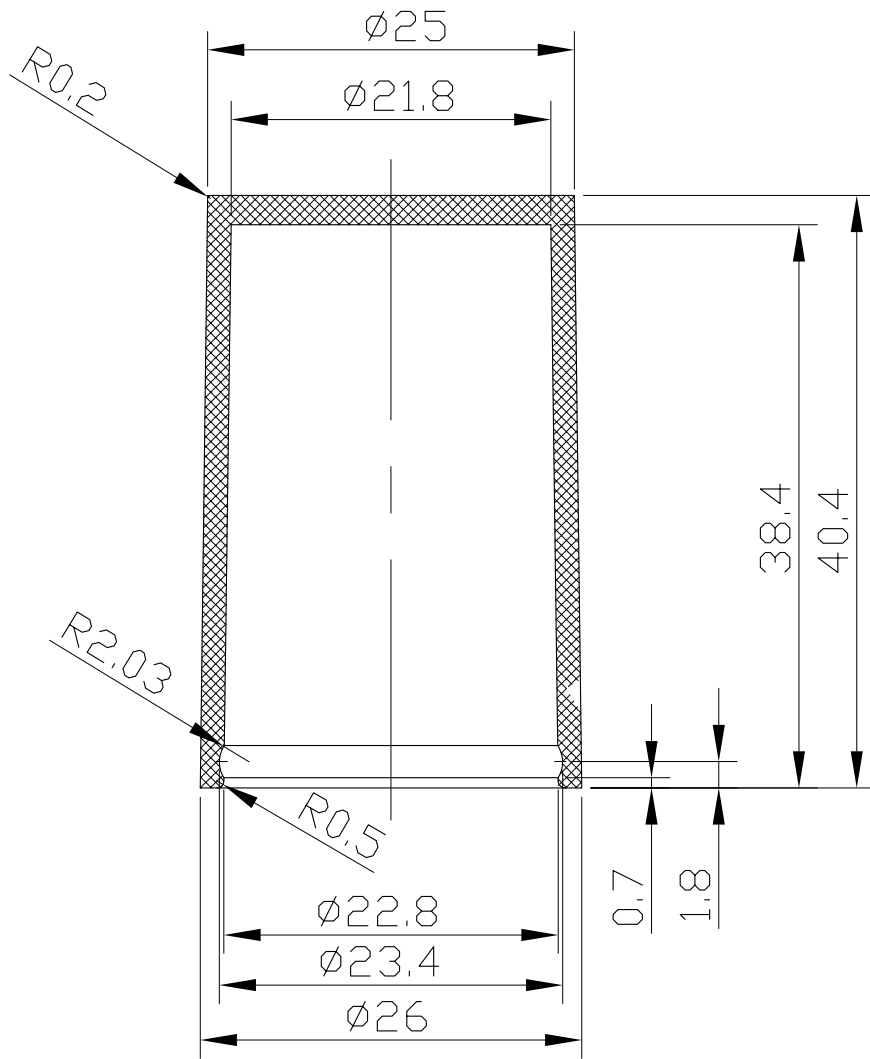
0 \geq 10 \pm 0.15
 10 \geq 40 \pm 0.20
 40 \geq 90 \pm 0.3
 90 \geq 200 \pm 0.5
 Angular \pm 0.5°

MAT' L: **AS**

SCALE:

PROG:

PRODUCT: 30ml Vacuum bottle
 -**bottle**
 DRW. NO: PA2020022-30ml
 PART WEIGHT: DESIGNER: Eric
 DATE: 2009/11/12 CHECKED BY:
 PAGE: APPROVED BY:



Mark	Modifications	Modifier	Date



$0 \geq 10 - \pm 0.15$
 $10 \geq 40 - \pm 0.20$
 $40 \geq 90 - \pm 0.3$
 $90 \geq 200 - \pm 0.5$
 Angular-- $\pm 0.5^\circ$

MAT' L: **AS**

SCALE:

PROG:

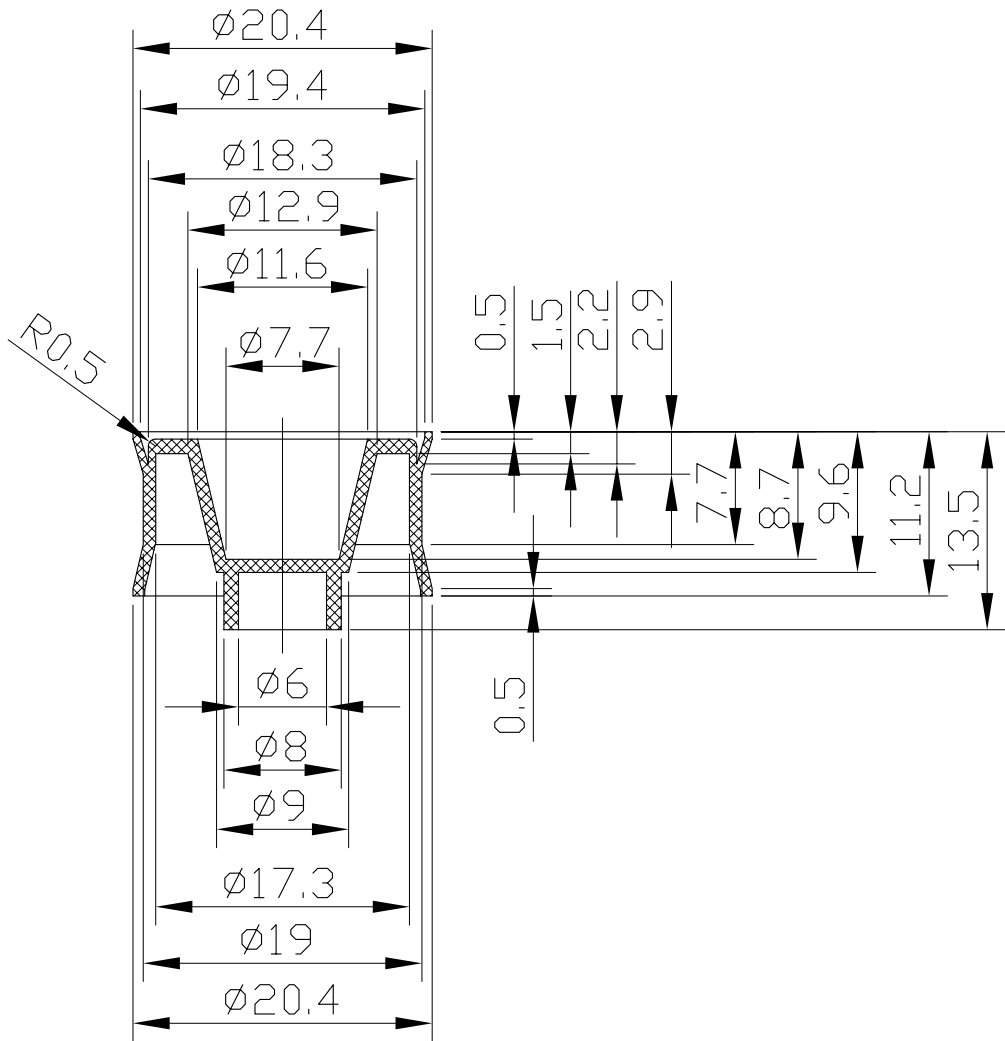
PRODUCT: 30ml Vacuum bottle
-cap

DRW. NO: PA2020022-30ml

PART WEIGHT: DESIGNER: Eric

DATE: 2009/11/12 CHECKED BY:

PAGE: APPROVED BY:



Mark	Modifications	Modifier	Date



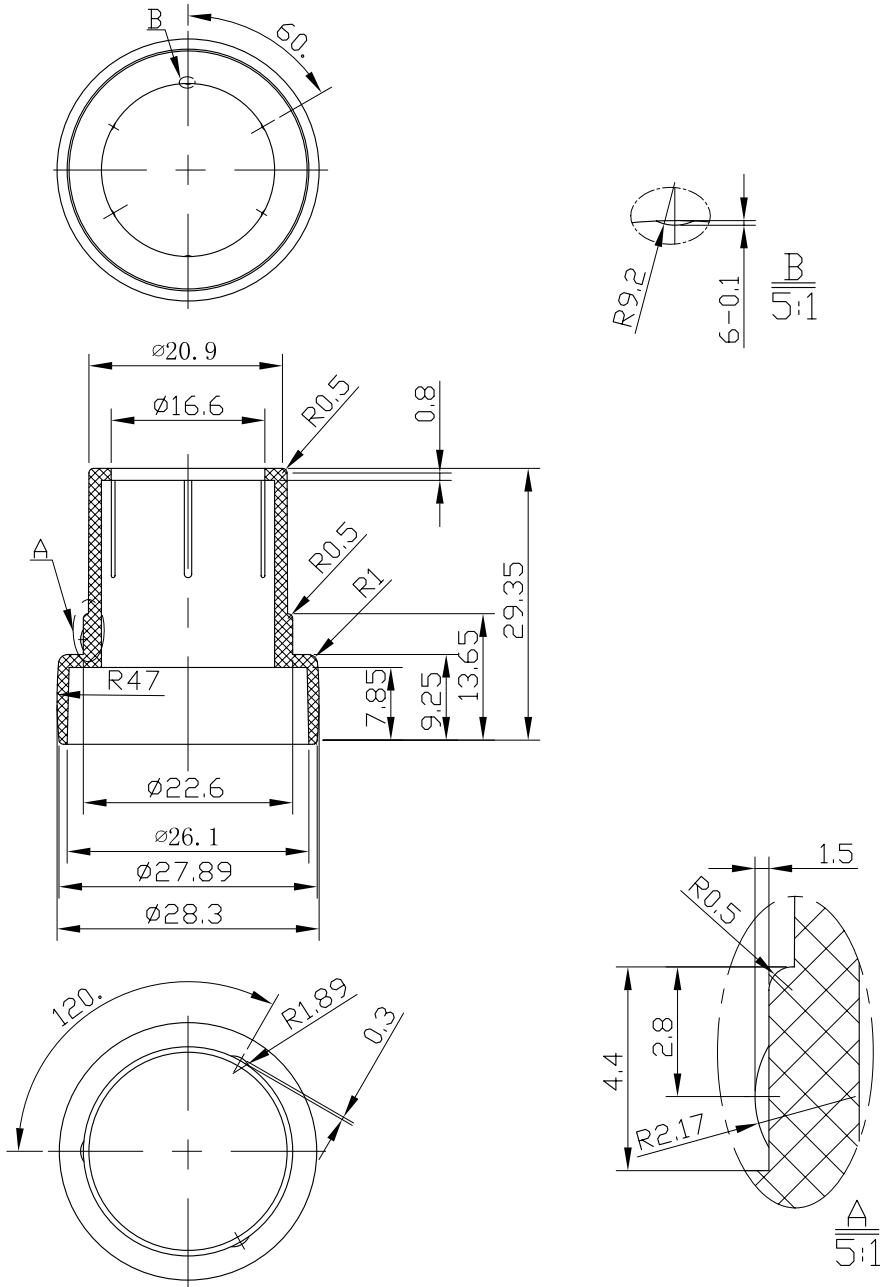
$0 \geq 10 - \pm 0.15$
 $10 \geq 40 - \pm 0.20$
 $40 \geq 90 - \pm 0.3$
 $90 \geq 200 - \pm 0.5$
 Angular - $\pm 0.5^\circ$

MAT' L: PE

SCALE:

PROG:

PRODUCT: 30ml Vacuum bottle
 -piston
 DRW. NO: PA2020022-30ml
 PART WEIGHT: DESIGNER: Eric
 DATE: 2009/11/12 CHECKED BY:
 PAGE: APPROVED BY:



Mark	Modifications	Modifier	Date

$0 \geq 10 \rightarrow \pm 0.15$
 $10 \geq 40 \rightarrow \pm 0.20$
 $40 \geq 90 \rightarrow \pm 0.3$
 $90 \geq 200 \rightarrow \pm 0.5$
 Angular $\rightarrow \pm 0.5^\circ$

MAT' L: **ABS**

SCALE:

PROG:

PRODUCT:

30ml Vacuum bottle
-shoulder

DRW. NO:

PA2020022-30ml

PART WEIGHT:

DESIGNER: Eric

DATE: 2009/11/12

CHECKED BY:

PAGE:

APPROVED BY:

