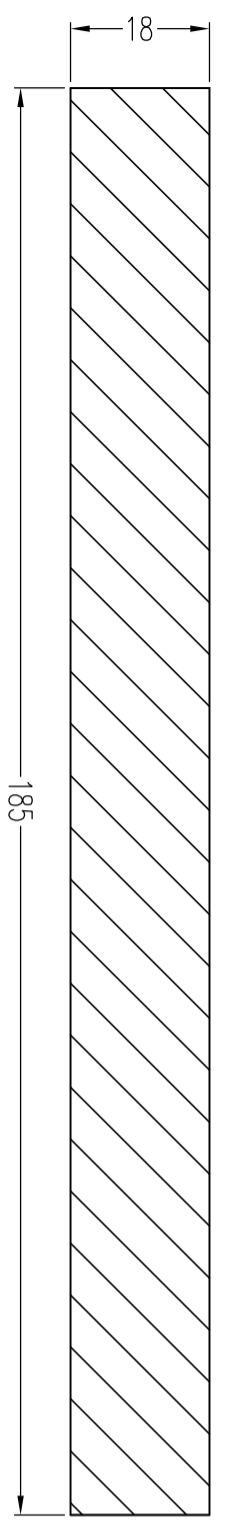
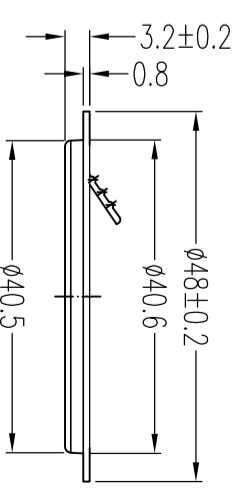
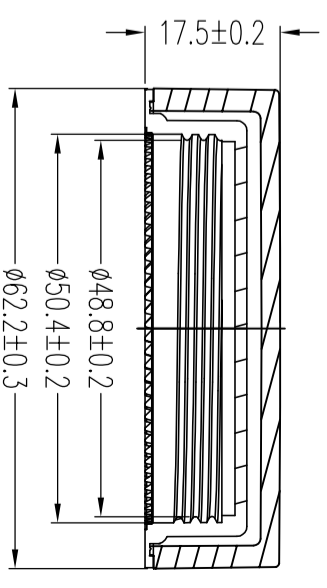
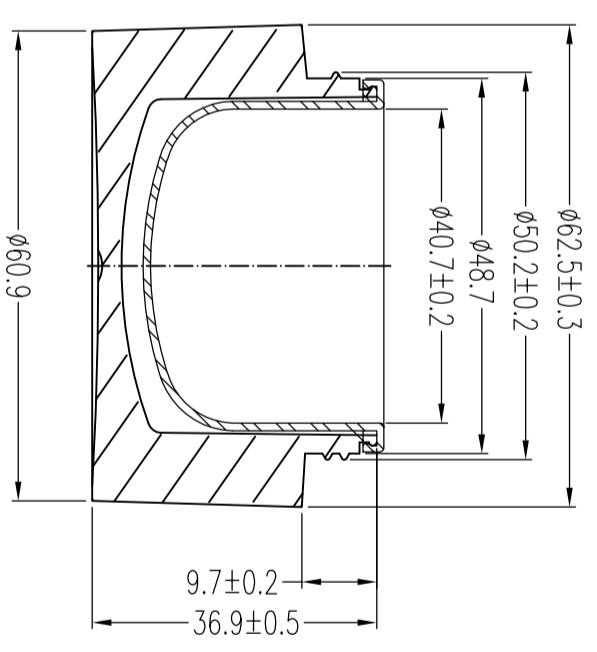
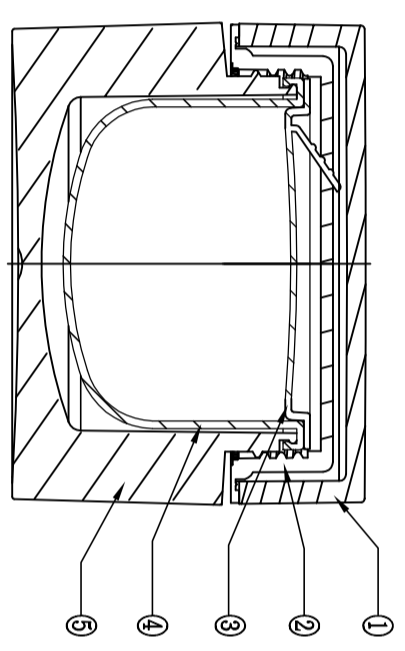
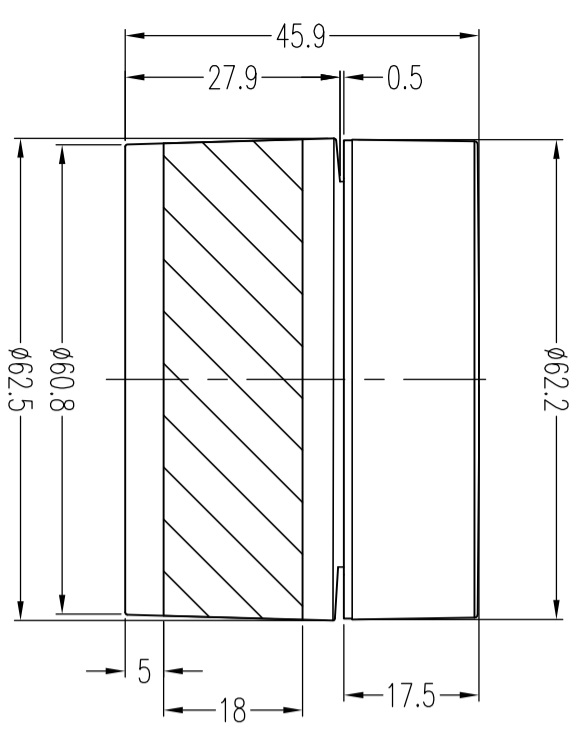


NO.	NAME	MATERIAL	WEIGHT (G)	MARK
1	over cap	PETG		
2	inner cap	ABS		
3	disk	PP		
4	inner jar	PP		
5	over jar	PETG		



**PJ2020002-30**

No.	Revisions	Description	Drawn	Date

Tolerances				

Approved	Checked	Design
	Z. J.	RC

Customer	Item	Parts	Drawing No.	Paper Size	Scale	Unit:mm
				A3	1 : 1	

Material	Drawn	RC	Date
			06/05/2016

